

# 100% Money Back Guarantee

**Vendor:** Alcatel-Lucent

**Exam Code:** 4A0-M01

**Exam Name:** Alcatel-Lucent IP/MPLS Mobile Backhaul Transport

**Version:** Demo

**QUESTION: 1**

When researching carrier-class Ethernet standards to support the mobile backhaul Ethernet transport, which standards body would you consult?

- A. IEEE
- B. MEF
- C. ITU-T
- D. NGMN

**Answer: B**

**QUESTION: 2**

The IETF is known for which standardization effort?

- A. It develops recommendations for core network functionality, broadband service delivery and next generation services
- B. It maintains Requests for Comment (RFC) that describe technical solutions to Internet challenges
- C. It creates single, integrated network design guidelines to support mobile broadband services
- D. It develops radio access services and systems for high capacity mobile networks

**Answer: B**

**QUESTION: 3**

Click on the exhibit.

```
A:MLS2# show port 1/2/2.3.5.1.1
-----
TDM DS0 Chan Group
-----
Description      : DS0GRP
Interface        : 1/2/2.3.5.1.1
TimeSlots       : 1-24
Speed           : 64
Admin Status    : up
BER SF Link Down : disabled
Last State Change : 11/15/2011 13:37:42
CRC             : 32
Oper Status     : down
Chan-Grp IfIndex : 574687879
Configured mode : access
Admin MTU       : 1524
Scramble        : true
Physical Link   : no
Idle Cycle Flags : n/a
Payload Fill Type : n/a
Signal Fill Type : n/a
Ing. Pool % Rate : 100
Egr. Sched. Pol : N/A
Encap Type      : atm
Oper MTU        : 1524
Bundle Number   : none
Load-balance-algo : Default
Payload Pattern : N/A
Signal Pattern  : N/A
Egr. Pool % Rate : 100
-----
...output truncated
```

Given the following:

- On the OC-3 port, each provisioned channel group contains all available timeslots.  
The command result illustrates which circuit status?

- A. The E1 channel group is administratively turned down
- B. The DS1 circuit physical link is operationally down
- C. The IMA bundle has no operational member links
- D. The associated Layer 3 interface is operationally down

**Answer:** B

**QUESTION: 4**

In the Alcatel-Lucent SROS, which command creates the OC-3 path's Administrative Unit (AU)-4 Virtual Container (VC) capacity?

- A. configure port 3/1/2 sonet-sdh path au-4
- B. configure port 3/1/2 sonet-sdh path sts3
- C. configure port 3/1/2 sonet-sdh path tug-3
- D. configure port 3/1/2 sonet-sdh path vc-4

**Answer:** B

**QUESTION: 5**

Click on the exhibit.

```
A:MLS1# show port 1/2/1.1.2.2.1

=====
TDM DS0 Chan Group
=====
Description      : DS0GRP
Interface        : 1/2/1.1.2.2.1
TimeSlots       : 2-32
Speed           : 64
Admin Status    : up
BER SF Link Down : disabled
Last State Change : 11/15/2011 12:41:41
CRC             : 16
Oper Status     : up
Chan-Grp IfIndex : 574652640

Configured mode : access
Admin MTU       : 1502
Scramble        : false
Physical Link   : yes
Idle Cycle Flags : flags
Payload Fill Type : n/a
Signal Fill Type : n/a
Ing. Pool % Rate : 100
Egr. Sched. Pol : N/A

Encap Type      : ipcp
Oper MTU       : 1502
Bundle Number   : none
Load-balance-algo : Default
Payload Pattern : N/A
Signal Pattern  : N/A
Egr. Pool % Rate : 100

=====
... output truncated
```

On the OC-3 port, each provisioned channel group contains all available timeslots  
The command result illustrates which OC-3 port characteristic?

- A. On STS1-1, the second VT1.5 in the second VTG is set for IPCP encapsulation
- B. On STS1-1, the second DS1 channel group in the second VTG is operationally up
- C. On STS1-1, the second E1 channel group in the second TUG-2 is operationally up
- D. On STS1-1, the second VT2 in the second TUG-2 is set for IPCP encapsulation

**Answer:** C

**QUESTION:** 6

Which statement correctly describes the Point-to-Point (PPP) Multilink Protocol (MP) negotiation process?

- A. At least one link must complete Link Control Protocol (LCP) negotiations before the bundle can initialize
- B. The endpoints indicate their desire to implement MP in the link Network Control Protocol (NCP) phase
- C. The bundle must complete LCP negotiations before it can enter the NCP negotiation phase
- D. Internet Protocol-Control Protocol (IPCP) negotiations must succeed for the bundle links to initialize

**Answer:** A

**QUESTION: 7**

In the Alcatel-Lucent SROS, which payload type set in a SDH-framed OC-12 port creates individual E1 containers?

- A. Virtual Tributary (VT) 1.5
- B. VT2
- C. Virtual Container (VC)-11
- D. VC-12

**Answer: B**

**QUESTION: 8**

Click on the exhibit.

```
A:MLS2# show multilink-bundle
```

Bundle Summary						
Bundle Id	Type	Admin State	Oper State	Port State	Min Links	Total/Active Links
bundle-ima-1/2.5	ima-grp	Up	Down	Link Up	2	4/2

Bundles : 1

The command result indicates which condition on the Inverse Multiplexing over ATM (IMA) bundle?

- A. The number of active links has dropped below the minimum threshold
- B. The associated Layer 3 interface is administratively down
- C. The remote IMA bundle is administratively down
- D. The parent OC-3 is operationally down

**Answer: C**

**QUESTION: 9**

Which timing technique can deliver time of day and phase synchronization information to the base station without concern for Packet Delay Variation (PDV)?

- A. Building Integrated Timing Supply (BITS)
- B. Global Positioning System (GPS)
- C. Adaptive Clock Recovery (ACR)
- D. IEEE 1588v2/Precision Time Protocol (PTP)

**Answer:** B

**QUESTION:** 10

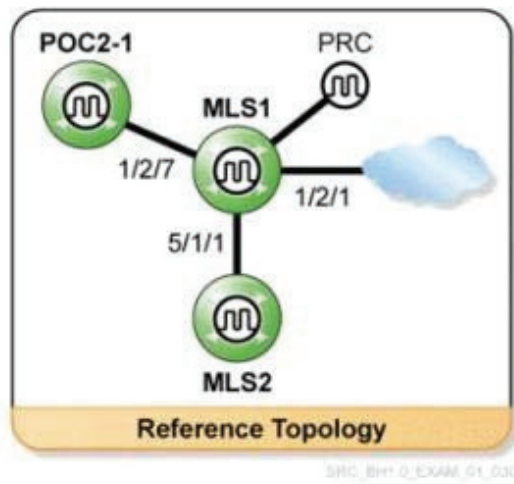
Which messages, periodically sent between an IEEE 1588v2/Precision Time Protocol (PTP) v2 master and slave, serve as hellos to help the slave choose the best available master?

- A. Announce
- B. Announce\_grant
- C. Sync
- D. Delay\_response

**Answer:** A

**QUESTION:** 11

Click on the exhibit.



```
ref-order ref1 bits ref2
ref1
    source-port 1/2/1
    no shutdown
exit
ref2
    source-port 5/1/1
    no shutdown
    ql-override prs
exit
bits
    interface-type ds1 sf
    ql-override prs
input
    no shutdown
exit
exit
revert
```

Consider the topology and MLS1 configuration shown, and given the following conditions:

- MLS1 delivers the PRC traceable clock to the network
- Reference 1 receives Quality Level (QL) - ST3
- Reference 2 receives QL - DUS
- BITS sets QL-STU

Which quality level will MLS1 deliver to POC2-1 on its Synchronous Ethernet (SyncE) port 1/2/7?

- A. QL-EEC2

- B. QL-PRS
- C. QL-ST3
- D. QL-STU

**Answer:** C

**QUESTION:** 12

Click on the exhibit.

```
A:CSA2# show system ptp clock 1 ptp-port 1 peer 1
-----
Peer-1
-----
IP Address       : 192.0.2.0      static/dynamic   : static
Current Master  : TRUE
Description     : MLS1
Clock Id        : 0ca402fffe96b401 Port Number      : 1
GM Clock Id     : 0ca402fffe96b401 GM Clock Class   : 80
GM Clock Accuracy : unknown(254)  GM Clock Variance : not computed
GM Clock Priority1 : 128          GM Clock Priority2 : 128
Step Type       : one-step
Last Rx Anno Msg : 11/22/2011 10:28:05
-----
Unicast Info
-----
Dir Type   Rate   Dur Result   Time                               Remain
-----
Rx Anno    1 pkt/2 s 300 granted 11/22/2011 10:25:56 172
Rx Sync    64 pkts/s 300 granted 11/22/2011 10:26:02 178
Rx DelayResp 64 pkts/s 300 granted 11/22/2011 10:26:02 178
-----
... output truncated
```

Given the show command results shown:

With what IEEE 1588v2/Precision Time Protocol (PTP) v2 message did the slave node set the Unicast message rates used by the master?

- A. Announce granted
- B. Announce request
- C. Sync granted
- D. Sync request

**Answer:** B

**QUESTION:** 13

Which statement best describes adaptive timing techniques?

- A. Adaptive timing calculates the time of day from time stamped packets
- B. Adaptive timing calculates the time of day from the arriving packet rate

- C. Adaptive timing only supports frequency synchronization
- D. Adaptive timing only operates on point-to-point links

**Answer:** A

**QUESTION:** 14

If an IEEE 1588v2/Precision Time Protocol (PTP) v2 slave times out announce messages with the master, to which state does the slave port transition to choose another potential master?

- A. Initial
- B. Listening
- C. Passive
- D. Un-calibrated

**Answer:** B

**QUESTION:** 15

Click on the exhibit.

```
-----  
    ref-order external ref1 ref2  
    ref1  
        source-ptp-clock 1  
        no shutdown  
    exit  
    ref2  
        source-port 1/2/7  
        no shutdown  
        ql-override prc  
    exit  
    external  
        input-interface  
            impedance high-impedance  
            no shutdown  
        exit  
    exit  
-----
```

Given the configuration shown and the following conditions:

- \* The external reference is offline
- \* Reference 1 receives Quality Level (QL) - EEC1
- \* Reference 2 receives QL - SSU-A



Which quality level will the SAR router advertise to its Synchronous Ethernet (SyncE) peers?

- A. QL-DNU
- B. QL-EEC1
- C. QL-SSU-A
- D. QL-PRC
- E. QL-UNC

**Answer:** B

**QUESTION:** 16

Click on the exhibit.

```
A:CSA1# show system ptp clock 1

=====
IEEE1588 PTP Clock Information
=====

Local Clock
-----
Clock Type           : ordinary,slave  Admin State           : up
Source I/F           : ptp_source    Clock MDA              : 1/2
PTP Profile           : ituTelecomFreq  Dynamic Peers         : not allowed
Clock ID              : 48f7f1ffffe0663d6  Clock Class           : 255
Clock Accuracy        : unknown(254)    Clock Variance        : not computed
Clock Priority1        : 128             Clock Priority2        : 128
Domain                : 4               Two-Step               : unknown
-----

Operational Data
-----
Parent Clock ID      : 0ca402ffffe96b401  Parent Port Number    : 1
GM Clock Id          : 0ca402ffffe96b401  GM Clock Class        : 80
GM Clock Accuracy    : unknown(254)    GM Clock Variance     : not computed
GM Clock Priority1   : 128             GM Clock Priority2    : 128
-----

Slave Port Index     : 1               Slave Port State      : slave
Slave Peer Index     : 1               Slave Peer IP         : 192.0.2.0
Forward Weight       : 96             Reverse Weight        : 4
```

Given the show command results shown:

Which IEEE 1588v2/Precision Time Protocol (PTP) v2 parent clock value does the slave first consider when choosing its master?

- A. GM Clock Priority1
- B. GM Clock ID
- C. GM Clock Priority2
- D. GM Clock Class

**Answer:** D

**QUESTION: 17**

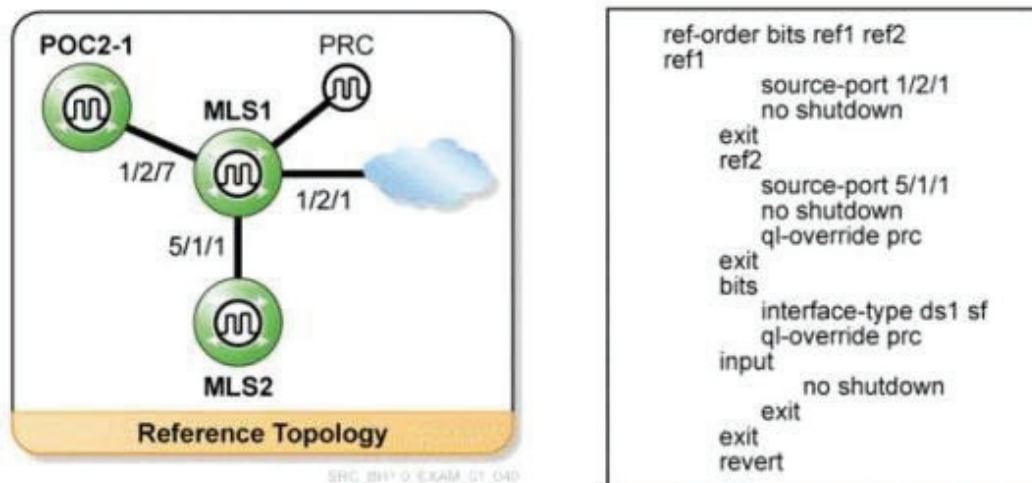
An SROS router obtains its timing exclusively from its BITS input port. The router sets Quality Level (QL) SONET Traceability Unknown (STU) on this Superframe (SF) framed DS1 BITS reference. What must you configure on this master router to pass the best clock quality level to the downstream Synchronous Ethernet (SyncE) slave nodes while maintaining traceability to the DS1 source?

- A. Enable "ql-override prs" on the BITS reference
- B. Enable "ql-override prs" on the master's SyncE ports
- C. Enable "ql-selection prs" on the BITS reference
- D. Set the master router to choose its source by quality level

**Answer: A**

**QUESTION: 18**

Click on the exhibit.



Consider the topology and MLS1 configuration shown, and given the following conditions:

- \* MLS1 delivers the PRC traceable clock to the network
- \* Reference 1 receives Quality Level (QL) - EEC1
- \* Reference 2 receives QL - SSU-A
- \* BITS sets QL-SSU-B

Which quality level will MLS1 deliver to POC2-1 on its Synchronous Ethernet (SyncE) port 1/2/7?

- A. QL-EEC1
- B. QL-PRC
- C. QL-SSU-A
- D. QL-STU

**Answer:** B

**QUESTION:** 19

Which synchronization technique supports time of day and phase synchronization?

- A. IEEE 1588 v2/Precision Time Protocol (PTP)v2
- B. Adaptive Clock Recovery (ACR)
- C. Time Division Multiplexing (TDM) line timing
- D. Synchronization Ethernet (SyncE)/Synchronization Status Message (SSM)

**Answer:** A

**QUESTION:** 20

Which is a characteristic of the IEEE 802.3 Slow Protocol?

- A. There are a maximum of 10 frames transmitted per second
- B. There are a maximum of 20 slow protocol subtypes per interface
- C. The maximum slow protocol frame size is 64 bytes
- D. The slow protocol header carries the clock quality level

**Answer:** A

**QUESTION:** 21

Which statement best describes phase synchronization as it is used in the backhaul transport?

- A. The master and slave clocks cycle at a rate within 50 parts per billion (ppb)
- B. The master and slave clockframes start within +/- 500 nanoseconds
- C. The slave clock sets its clock frequency to the incoming bit rate
- D. The slave sets its time and date accordingly to the arriving packet rate

**Answer:** B

**QUESTION:** 22

Which command example correctly configures a 7750 Service Router (SR) for Synchronous Ethernet (SyncE) support?

- A. configure card 1 mda 1 sync-e
- B. configure card 1 ethernet sync-e
- C. configure system sync-if-timing sync-e no shutdown
- D. configure port 1/1/1 ethernet sync-e no shutdown

**Answer:** A

**QUESTION:** 23

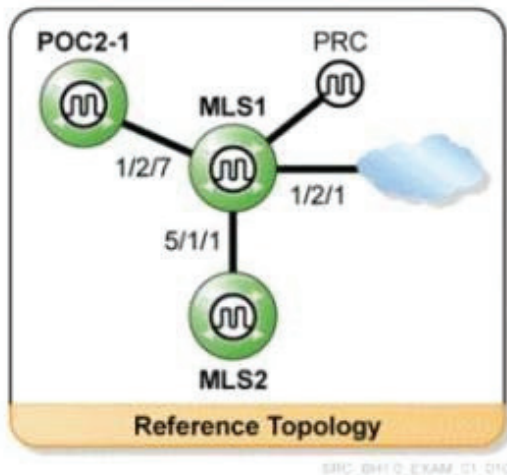
Which component must you configure on an IEEE 1588v2/Precision Time Protocol (PTP) v2 slave to enable it to choose its master based on Synchronization Status Message (SSM) Option 1 or Option 2 Quality Levels?

- A. Set the PTP port to the desired ITU-T G.781 Option 1 or 2 mode
- B. Set the SROS IEEE 1588v2 profile to IEEE 1588-2008
- C. Set the SROS IEEE 1588v2 profile to ITU-T G.8265.1
- D. Configure ql-override on the PTP reference entry

**Answer:** C

**QUESTION:** 24

Click on the exhibit.



```

ql-selection
ref-order bits ref1 ref2
ref1
  source-port 1/2/1
  no shutdown
exit
ref2
  source-port 5/1/1
  no shutdown
  ql-override prs
exit
bits
  interface-type ds1 sf
  input
  no shutdown
exit
exit
revert

```

Consider the topology and MLS1 configuration shown, and given the following conditions:

- MLS1 delivers the PRC traceable clock to the network
- Reference 1 receives Quality Level (QL) - PRS
- Reference 2 receives QL - DUS
- BITS sets QL-STU

Which quality level will MLS1 deliver to POC2-1 on its Synchronous Ethernet (SyncE) port 1/2/7?

- A. QL-DUS
- B. QL-EEC2
- C. QL-PRS
- D. QL-STU

**Answer:** C

**QUESTION:** 25

Click on the exhibit.

```
A:MLS1>config>router>bgp# info
-----
      group "Cluster"
        next-hop-self
        type internal
        cluster 10.10.10.10
        peer-as 65000
        neighbor 192.0.2.2
        exit
        neighbor 192.0.2.3
        exit
      exit
      no shutdown
-----
```

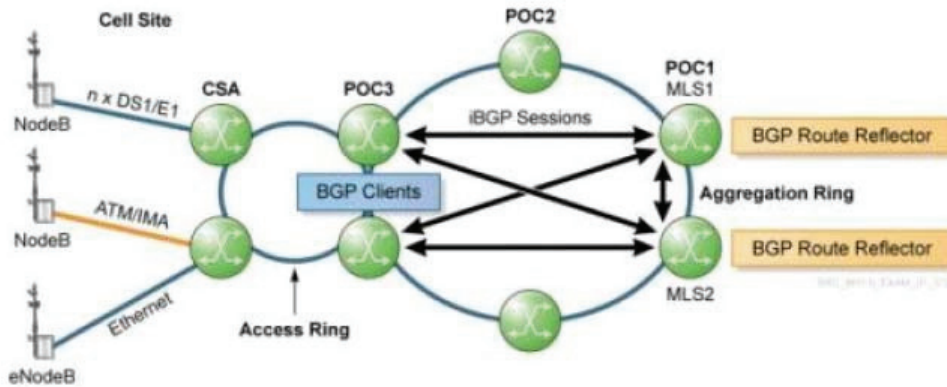
Based on the default SROS Border Gateway Protocol (BGP) timer settings and the configuration shown: If the Interior Gateway Protocol (IGP) removes its route to the BGP neighbor 192.0.2.2, how long will BGP wait to drop its peering session with that neighbor router?

- A. 0 seconds
- B. 30 seconds
- C. 90 seconds
- D. 170 seconds

**Answer:** C

**QUESTION:** 26

Click on the exhibit.



Given the topology shown:

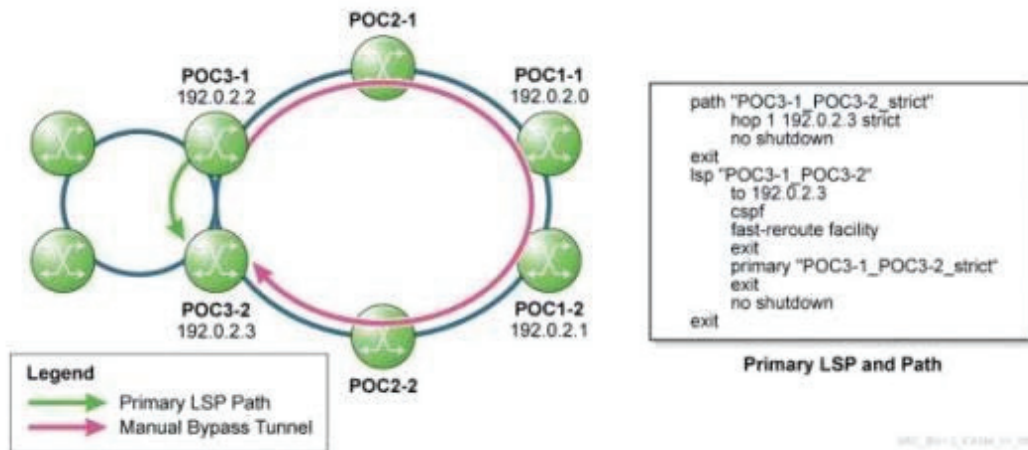
With Border Gateway Protocol (BGP) peer tracking enabled, what will router MLS1 do if the Interior Gateway Protocol (IGP) removes the route to its BGP peer MLS2 system ID?

- A. It will look for an alternate route reflection peer
- B. It will shut down BGP route reflection
- C. It will set its peering session state to connect
- D. It will try to peer with one of the POC3 routers

**Answer:** C

**QUESTION:** 27

Click on the exhibit.



Given the topology and the Multiprotocol Label Switching (MPLS) Label Switch Path (LSP) and path configurations shown:

You wish to protect the LSP POC3-1\_POC3-2 with a manual bypass tunnel. Which statement correctly describes the manual bypass tunnel configuration requirement for the ring topology shown?

- A. All nodes must have manual bypass enabled in the MPLS context
- B. All nodes must have fast reroute facility enabled in the MPLS context.
- C. The bypass tunnel first hop must avoid the protected LSP's tail end router
- D. Each node must have a bypass-only tunnel configured to terminate on POC3-2

**Answer:** C

**QUESTION:** 28

Click on the exhibit.

```
A:MLS1# show router bgp neighbor
=====
BGP Neighbor
=====
Peer      : 192.0.2.2
Group    : Cluster
-----
Peer AS      : 65000      Peer Port      : 179
Peer Address : 192.0.2.2  Local Port     : 50547
Local AS     : 65000
Local Address : 192.0.2.0
Peer Type    : Internal
State        : Established  Last State     : Active
Last Event   : recvKeepAlive
Last Error   : Cease
Local Family : IPv4
Remote Family : IPv4
Hold Time    : 90          Keep Alive     : 30
Active Hold Time : 90      Active Keep Alive : 30
Cluster Id   : 10.10.10.10
Preference  : 170        Num of Update Flaps : 0
...

```

Which field in the show command result indicates that the router MLS1 is configured as a Border Gateway Protocol (BGP) route reflector?

- A. Peer Type;
- B. Group;
- C. Peer AS;
- D. Cluster Id;

**Answer:** D

**QUESTION:** 29

Click on the exhibit.



```

A:MLS1# show router static-route
-----
Static Route Table (Router: Base)  Family: IPv4
-----
Prefix                               Tag      Met    Pref Type Act
  Next Hop                           Interface
-----
192.0.2.1/32                         0        1      5    NH  Y
  192.0.2.29                          MLS1_MLS2
192.0.2.2/32                         0        1      5    NH  Y
  192.0.2.17                          MLS1_CSA1
192.0.2.2/32                         0        1     10    NH  N
  192.0.2.29                          n/a
-----
No. of Static Routes: 3
-----

```

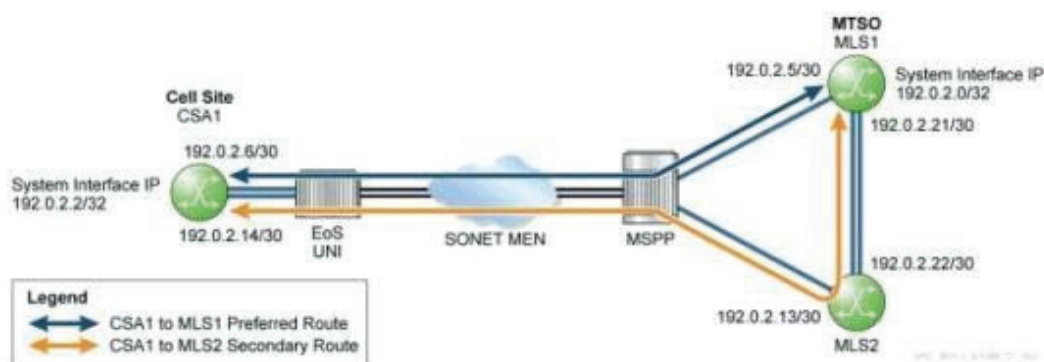
With the information given, why is the second static route to prefix 192.0.2.2/32 inactive?

- A. The second route is a black hole static route
- B. The static route is missing a next hop entry
- C. A route with a better preference is active
- D. The next hop interface is unreachable

**Answer:** C

**QUESTION:** 30

Click on the exhibit.



You wish to configure a secondary static route on MLS1 targeting the CSA1 system interface. The route must forward packets over the secondary route path as shown in the diagram. Given the following:

- BFD must be enabled on the preferred route
- BFD is configured on the interfaces
- The MLS1 router must choose the preferred route in normal operations



Which command example correctly configures the secondary static route on MLS1?

- A. configure router static-route 192 0.2.2/32 next-hop 192.0.2.6 bfd-enable
- B. configure router static-route 192.0.2.6/32 next-hop 192.0.2.22 bfd-enable
- C. configure router static-route 192.0.2.2/32 next-hop 192.0.2.14 precedence 10
- D. configure router static-route 192.0.2.2/32 next-hop 192.0.2.22 precedence 10

**Answer:** D

**QUESTION:** 31

Which statement correctly describes a Versatile Service Module (VSM) Layer 2 and Layer 3 service cross-connect's operation?

- A. Layer 3 Service Access Points (SAPs) must use the "A" paths; Layer 2 services use the B path
- B. The Cross Connect Aggregation Group (CCAG) B path can optionally act as a hot standby path for the A path
- C. A CCAG may rate limit the A or B path all the way up to the maximum CCAG available bandwidth
- D. For resiliency, the CCAG distributes each conversation flow across multiple Cross Connect Adapters (CCA)

**Answer:** C

**QUESTION:** 32

Which statement correctly describes Virtual Routing and Redundancy Protocol (VRRP) configuration?

- A. The router assigns priority 100 to a non-owner VRRP interface by default
- B. An interface can only be a member of a single Virtual Router ID (VRD)
- C. An owner mode VRID can back up as many as sixteen virtual gateway addresses
- D. An owner mode VRID requires a backup address not used by the physical interfaces

**Answer:** A

**QUESTION:** 33

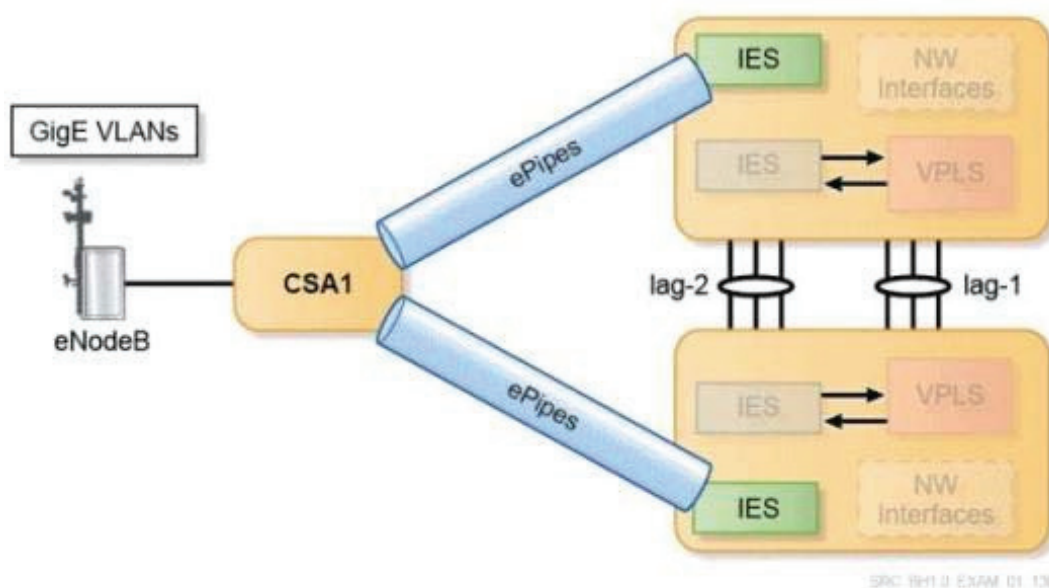
Choose the two SAP identifiers that a Cross Connect ID (CCID) can bind to create a bi-directional Layer 2 and Layer 3 service cross connect. (Choose two.)

- A. sap 1/1/9:100:200
- B. sap 1/1/8:100:200
- C. sapccag-1.a:100
- D. sapccag-2.a:100
- E. sapccag-1.b:100
- F. sap ccag-2.b:200

**Answer:** C, E

**QUESTION:** 34

Click on the exhibit



Given the diagram shown and the following information:

- Configured on the CSA1 router is an ePipe with redundant spoke Service Distribution Points (SDPs)
- The spoke SDPs terminate on Internet Enhanced Services (IES) interfaces configured on each of the two remote Provider Edge (PE) routers.

Which statement correctly describes how the remote PEs signal Maximum Transmission Unit (MTU) values for the ePipe spoke terminations?

- A. The remote PE routers signal the default IES service 1514 byte MTU to the CSA1 router
- B. The remote PE routers signal the IES spoke SDP Virtual Circuit (VC)-MTU based on the SDP path MTU
- C. The PE routers set the service MTUs to the lowest negotiated value
- D. The remote PE routers must signal a VC-MTU equal to the ePipe service MTU plus the Ethernet header size

**Answer:** B

**QUESTION:** 35

Click on the exhibit

```
A:MLS1>config>service>vprn# info
-----
description "3G Voice VPRN"
router-id 198.51.100.0
route-distinguisher 65100:2
interface "L3_VLAN402" create
  description "Cross connect to 3G SM Inner VPLS"
  address 198.51.100.65/27
  vrrp 1
    backup 198.51.100.67
    priority 230
    ping-reply
  exit
  sap 1/1/9:2 create
  exit

A:MLS2>config>service>vprn# info
-----
description "3G Voice VPRN"
router-id 198.51.100.1
route-distinguisher 65100:2
interface "L3_VLAN402" create
  description "Cross connect to 3G SM Inner VPLS"
  address 198.51.100.66/27
  vrrp 1
    backup 198.51.100.67
    priority 220
    ping-reply
  exit
  sap 1/1/9:2 create
  exit
  exit
```

Given the configurations shown and the following information:

- Multilayer Switch (MLS) 1 and 2 host duplicate Virtual Private Routed Network (VPRN) services.
- Configured on the interfaces L3\_VLAN402 is Virtual Router ID (VRID) 1

Your customer states that if the master interface fails and recovers, they want traffic to remain on the VRID backup interface.

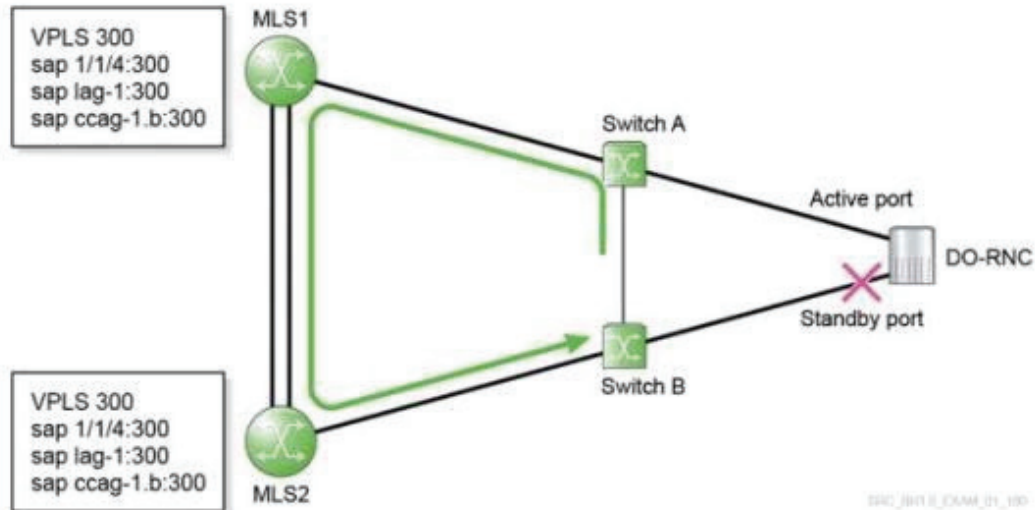
What must you change in the configuration shown to keep the VRID from moving traffic back to the master?

- A. set a revert time value of infinity
- B. configure no preempt in the VRID
- C. set both interface priorities to the default
- D. set MLS1 interface L3\_VLAN402 to priority 255

**Answer:** B

**QUESTION:** 36

Click on the exhibit.



Given the diagram

On the MLS routers, you wish to configure a Management Virtual Private LAN Service (mVPLS) running Spanning Tree Protocol (STP) on behalf of VPLS 300. What must you configure on the MLS routers? (Choose two.)

- A. Configure mVPLS Service Access Points (SAPs) on the same access ports as used in the VPLS 300 service
- B. Configure mVPLS SAPs with the same Virtual LAN (VLAN) tags as those used on the VPLS 300 SAPs
- C. Turn up STP on each of the MLS1 and MLS2 VPLS 300 SAP physical access ports
- D. Create a managed VLAN list on each mVPLS SAP for all protected VPLS 300 VLANs
- E. Provision the mVPLS SAPs with unique VLAN tags within the VPLS 300 service context

**Answer:** A, D

**QUESTION:** 37

A network element (NE) forwards external traffic through a Virtual Routing and Redundancy Protocol (VRRP) protected gateway interface. If the master goes offline, how does the NE learn to forward traffic to the new master interface?

- A. Upon assuming the master role, the new master advertises its presence through Gratuitous Address Resolution Protocol (ARP) messages
- B. The master updates the forwarding table entries by delivering all frames into the network using the virtual Media Access Control (MAC) source address
- C. The network elements use their current gateway interface ARP cache entry or send out an ARP request if the entry is timed out
- D. The new master interface delivers the new virtual interface MAC address into the network via Master Advertisement Messages

**Answer:** C

**QUESTION:** 38

Which statement correctly describes SROS Virtual Private Wire Service (VPWS) endpoint characteristics?

- A. An implicit endpoint may have both a SAP and a spoke SDP object
- B. Within a local service context a router will only forward traffic between objects in different endpoints
- C. An explicit ePipe service endpoint may have up to four associated SAP objects, but only one forwarding
- D. An explicit endpoint may contain up to four primary pseudowire objects to support load balancing

**Answer:** B

**QUESTION:** 39

Click on the exhibit.

```
epipe 10 customer 1 create
    description "3G_BTS10"
    endpoint "epipe10" create
    exit
    sap 1/2/1:1 create
    exit
    spoke-sdp 1:10 endpoint "epipe10" create
        precedence primary
    exit
    spoke-sdp 2:10 endpoint "epipe10" create
    exit
    no shutdown
exit
```

Given the local Provider Edge (PE) router configuration shown and the following condition:

- All Service Access Points (SAPs) and spoke SDPs are operational

Upon startup, which pseudowire status value will the local PE router signal for the standby spoke SDP?

- A. 0x00,Pseudowire forwarding
- B. 0x01,Pseudowire not forwarding
- C. 0x20, Pseudowire forwarding Standby
- D. 0x21,Pseudowire in standby and not forwarding

**Answer:** A

**QUESTION:** 40

Click on the exhibit

```
ipipe 100 customer 1 create
  description "Distributed iPipe for 3G IPoTDM services"
  endpoint "ipipe100" create
    standby-signaling-master
  exit
  sap bundle-ppp-1/1.2 create
    ce-address 203.0.113.50
    ipcp
      assign-peer-ce-addr
      dns 198.51.100.250
    exit
  exit
  spoke-sdp 1:100 endpoint "ipipe100" create
    ce-address 203.0.113.51
    precedence primary
  exit
  spoke-sdp 2:100 endpoint "ipipe100" create
    ce-address 203.0.113.51
  exit
no shutdown
```

Given the cell site router configuration shown:

The local Provider Edge (PE) router originates a redundant iPipe service terminated on each of two remote PE routers. Which statement correctly describes the iPipe service operation?

- A. The local PE router will assign to the Customer Edge (CE) device the IP address defined in the SAP DNS context
- B. The remote PEs will load-balance base station destined packets through both return spoke SDPs
- C. The remote PE routers forward base station packets through the iPipe service associated with the active spoke SDP

D. The local PE router signals the base station's IP address to the remote PE in the Targeted Label Distribution Protocol (T-LDP) label messages

**Answer:** C

**QUESTION:** 41

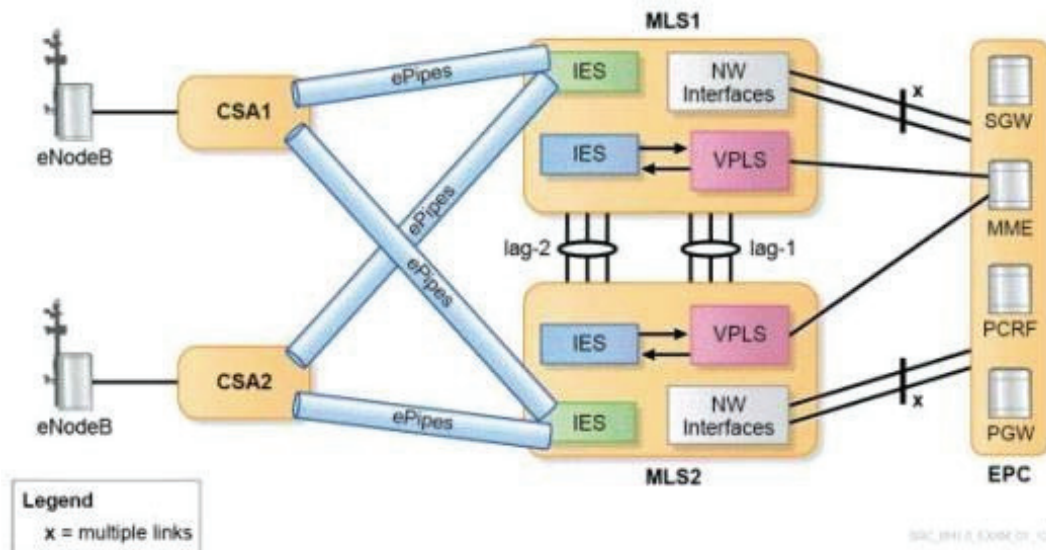
As cells enter an aPipe service configured for vc-type atm-vc, how does the ingress Provider Edge (PE) router handle the cell header Virtual Path Identifier/Virtual Channel Identifier (VPI/VCI) values?

- A. The PE strips the cell headers and transports just the payload with a control word
- B. The PE replaces the VPI/VCI with the MPLS service label and control word
- C. The PE replaces the VPI/VCI with another set defined within the service context
- D. The PE transports the original VPI/VCI along with the payload to the egress PE

**Answer:** D

**QUESTION:** 42

Click on the exhibit



Which statement correctly describes eNodeB-to-eNodeB X2 interface traffic flow in the Model 1 hub and spoke architecture Long Term Evolution (LTE) service model shown?

- A. X2 traffic travels through the red Virtual Private LAN Service (VPLS) to the Mobility Management Entity (MME) pool and on to the target CSA router

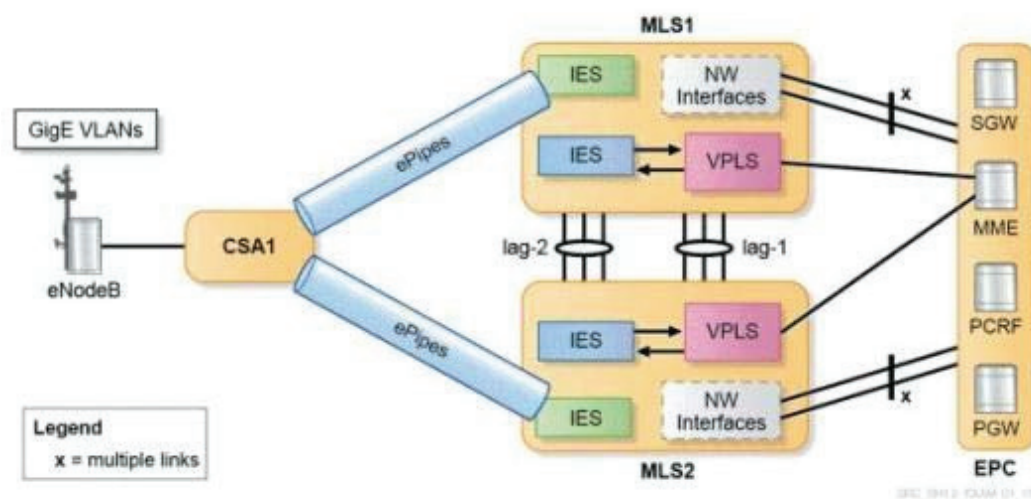


- B. The green Internet Enhanced Service (IES) provides the Layer 3 interfaces used for X2 eNodeB-to-eNodeB handoff traffic
- C. Split horizon allows direct eNodeB-eNodeB handoff without the need to route through the green IES interfaces
- D. The red VPLS supports Virtual Routing and Redundancy Protocol (VRRP) sessions for X2 inter-eNodeB Layer 3 interface resiliency

**Answer:** B

**QUESTION:** 43

Click on the exhibit



Which statement correctly describes the Model 1 hub and spoke architecture Long Term Evolution (LTE) service model shown?

- A. The blue Internet Enhanced Service (IES) SAP interfaces include static Media Access Control (MAC) address entries for the eNodeBs
- B. The red Virtual Private LAN Service (VPLS) provides the Layer 2 transport to support blue IES Virtual Routing and Redundancy Protocol (VRRP) sessions
- C. The green IES spoke SDP interfaces include static MAC address entries for the eNodeBs
- D. The blue IES interfaces forward traffic to external networks and the mobile core

**Answer:** B

**QUESTION:** 44

Click on the exhibit.



```

A:MLS1# show router 2 vrrp instance
=====
VRRP Instances
=====
Interface Name          VR Id Own Adm  State      Base Pri  Msg Int
                        IP      Opr  Pol Id      InUse Pri  Inh Int
-----
L3_VLAN402              1   No  Up   Backup    230      1
                        IPv4    Up   n/a      230      No
Backup Addr: 198.51.100.67
-----
Instances : 1
=====

A:MLS2# show router 2 vrrp instance
=====
VRRP Instances
=====
Interface Name          VR Id Own Adm  State      Base Pri  Msg Int
                        IP      Opr  Pol Id      InUse Pri  Inh Int
-----
L3_VLAN402              1   No  Up   Master    220      1
                        IPv4    Up   n/a      220      No
Backup Addr: 198.51.100.67
-----
Instances : 1
=====

```

Given the show command results shown and the following information;

\* MLS1 interface L3\_VLAN402 is the preferred Virtual Router ID (VRID) 1 master interface

\* The master interface failed and later recovered

Why does the MLS2 interface L3\_VLAN402 remain in the Master state?

- A. You must configure a VRRP policy to control master recovery time
- B. The VRRP VRID 1 configuration disallows preempting the existing master
- C. SROS requires operator intervention to recover the VRRP master interface
- D. The Layer 2 interface carrying the VRRP announcements is operationally down

**Answer:** B

**QUESTION:** 45

Which statement is correct concerning spoke SDP use in point-to-point services?

- A. Each service requires its own set of SDPs
- B. The spoke SDP must specify the vc-type of the service transported
- C. SDP bindings must include the service encapsulation type value
- D. An explicit endpoint may have up to four spoke SDP bindings
- E. Each service includes two default explicit endpoints

**Answer:** D

**QUESTION:** 46

Click on the exhibit

```
A:CSA2# show router ldp bindings service-id 300
-----
LDP LSR ID: 192.0.2.3
-----
Legend: U - Label In Use, N - Label Not In Use, W - Label Withdrawn
        S - Status Signaled Up, D - Status Signaled Down
        E - Epipe Service, V - VPLS Service, M - Mirror Service
        A - Apipe Service, F - Fpipe Service, I - IES Service, R - VPRN service
        P - Ipipe Service, WP - Label Withdraw Pending, C - Cpipe Service
        TLV - (Type, Length: Value)
-----
LDP Service FEC 128 Bindings
-----
Type  VCId      SvcId      SDPId  Peer          IngLbl  EgrLbl  LMTU  RMTU
-----
E-Eth 300         300        1      192.0.2.0     131061U 131056D 1500  1536
E-Eth 300         300        2      192.0.2.1     131060U 131058D 1500  1536
-----
No. of VC Labels: 2
-----
...output truncated
```

Given the show command result shown and the following information:

- The local Provider Edge (PE) ePipe 300 service uses redundant pseudowires spoke-terminated into Internet Enhanced Service (IES) interfaces on two separate remote PE routers.
- Changes made to the service configuration must not affect the operation of other services.

What change can you make to the interconnected services to correct the spoke SDP Egress Label status highlighted?

- A. Enable standby-signalling-master in the ePipe primary spoke SDP binding
- B. Adjust the local PE SDP 1 and 2 SDP path Maximum Transmission Unit (MTUs) to match the IES service MTU
- C. Adjust the remote PE IES spoke interface IP-MTUs to match the ePipe service Virtual Circuit (VC)-MTU
- D. Configure one of the ePipe 300 spoke SDP bindings as endpoint precedence primary

**Answer:** C

**QUESTION:** 47

Which statement is true concerning aPipe ATM cell mode versus ATM Adaptation Layer (AAL) 5 Service Data Unit (SDU) frame mode?

- A. AAL5 SDU frame mode supports ATM cell concatenation
- B. ATM cell mode can bind multiple virtual circuits to a single service
- C. AAL5 SDU frame mode passes the cell header with the payload
- D. ATM cell mode requires a control word for cell reordering

**Answer:** B

**QUESTION:** 48

Click on the exhibit

```
A:CSA1# show service id 200 base
-----
Service Basic Information
-----
Service Id       : 200
Service Type     : Apipe           VLL Type       : ATMVCC
Description      : 3G_BTS02
Customer Id      : 1
Last Status Change: 12/05/2011 08:18:21
Last Mgmt Change : 12/05/2011 08:17:51
Admin State      : Up             Oper State      : Up
MTU              : 1508
Vc Switching     : False
SAP Count        : 1             SDP Bind Count : 2
-----
Service Access & Destination Points
-----
Identifier                               Type      AdmMTU  OprMTU  Adm  Opr
```

Given the show result shown:

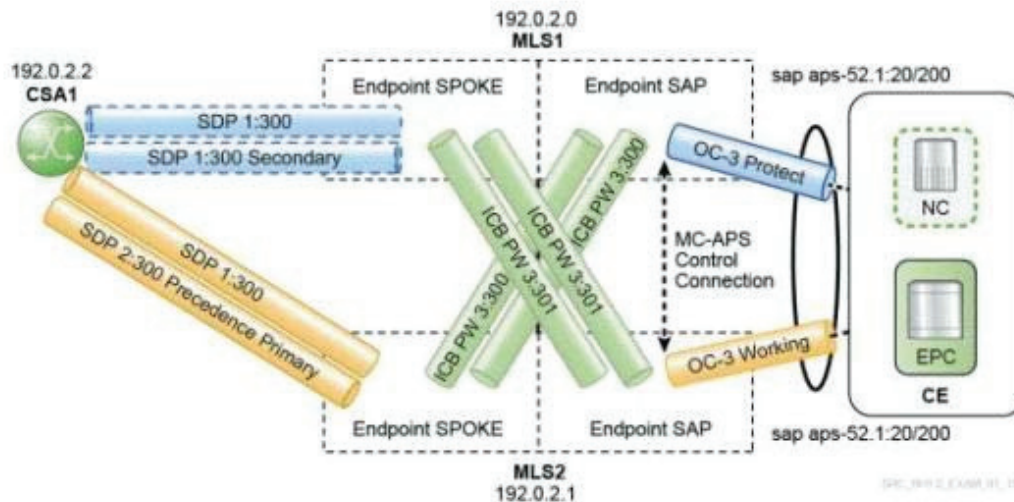
Which example shows the proper format for a Service Access Point (SAP) configured within this service context?

- A. sapbundle-ppp-1/2.1:1/200
- B. sap bundle-ima-2/1.1:1
- C. sap 1/1/1.1:200.20
- D. sap 1/1/6.1:200/20

**Answer:** D

**QUESTION:** 49

Click on the exhibit



Given the diagram shown, and the following information:

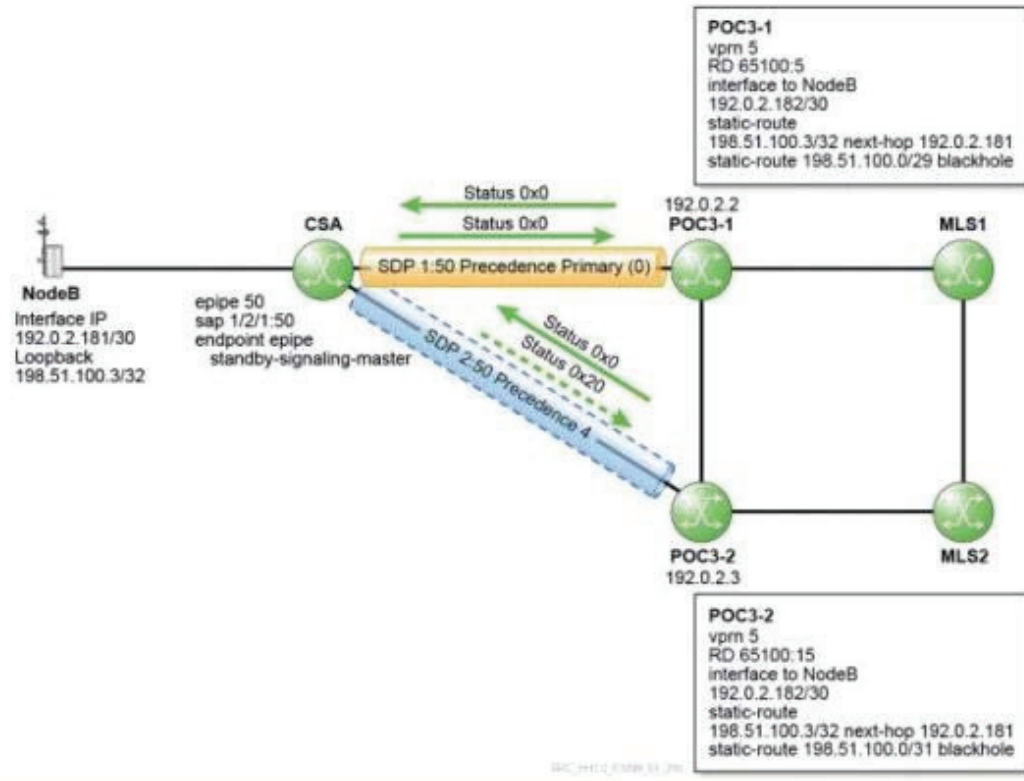
- Configured on CSA1 and the two MLS routers is redundant aPipe 300
  - Interchassis Backup Pseudowires (ICB-PW) provide a path of last resort to the Customer Edge (CE) Service Access Points (SAPs)
  - Multichassis Automatic Protection Switching (MC-APS) protects the CE access ports
  - Assume normal status on all aPipe 300 spoke Service Distribution Points (SDPs)
- If the working OC-3 fails, which three statements correctly describe the resulting status of the MLS1 aPipe 300 endpoint objects (Choose three)

- A. Spoke SDP 1:300 active
- B. Spoke SDP 1:300 standby
- C. Spoke SDP 3:300 active
- D. Spoke SDP 3:300 standby
- E. Spoke SDP 3:301 active
- F. Spoke SDP 3:301 standby

**Answer:** A, D, F

**QUESTION:** 50

Click on the exhibit



Given the diagram and the following information:

- Virtual Private Routed Network (VPRN) 5 spans the routers Point of Concentration (POC) 3-1 and 3-2 and the Multilevel Switch (MLS) routers MLS1 and MLS2
- Multiprotocol Border Gateway Protocol (MP-BGP) is configured and operational
- Pseudowire status is signaled, as shown, on the ePipe/VPRN spoke Service Distribution Paths (SDPs)

Which statement correctly describes the illustrated services' normal operations?

- A failure on the POC3-1 VPRN interface "to NodeB" will cause a pseudowire switch on the CSA router
- A failure on the POC3-2 VPRN interface "to NodeB" will cause a pseudowire switch on the CSA router
- The CSA router sends traffic down both spoke SDPs 1:50 and 2:50 simultaneously
- Both POC3-1 and POC3-2 VPRN interfaces "to NodeB" simultaneously forward traffic to the CSA router

**Answer:** A

**QUESTION:** 51

Click on the exhibit

To Read the [Whole Q&As](#), please purchase the [Complete Version](#) from [Our website](#).

# Trying our product !

- ★ **100%** Guaranteed Success
- ★ **100%** Money Back Guarantee
- ★ **365 Days** Free Update
- ★ **Instant Download** After Purchase
- ★ **24x7** Customer Support
- ★ Average **99.9%** Success Rate
- ★ More than **69,000** Satisfied Customers Worldwide
- ★ Multi-Platform capabilities - **Windows, Mac, Android, iPhone, iPod, iPad, Kindle**

## Need Help

Please provide as much detail as possible so we can best assist you.

To update a previously submitted ticket:



 <b>One Year Free Update</b> <p>Free update is available within One Year after your purchase. After One Year, you will get 50% discounts for updating. And we are proud to boast a 24/7 efficient Customer Support system via Email.</p>	 <b>Money Back Guarantee</b> <p>To ensure that you are spending on quality products, we provide 100% money back guarantee for 30 days from the date of purchase.</p>	 <b>Security &amp; Privacy</b> <p>We respect customer privacy. We use McAfee's security service to provide you with utmost security for your personal information &amp; peace of mind.</p>
---	---	--

[Guarantee & Policy](#) | [Privacy & Policy](#) | [Terms & Conditions](#)

Any charges made through this site will appear as Global Simulators Limited.

All trademarks are the property of their respective owners.

Copyright © 2004-2015, All Rights Reserved.