

**100%** Money Back  
**Guarantee**

**Vendor:**Cisco

**Exam Code:**200-310

**Exam Name:**Designing for Cisco Internetwork  
Solutions

**Version:**Demo

### QUESTION 1

An engineer is designing a solution for multiple multihomed to establish router between one another which design must be?

- A. OSPF
- B. iBGP
- C. eBGP
- D. EIGRP

Correct Answer: C

---

### QUESTION 2

Which of the following three options represents the components of the Teleworker Solution? (Choose three.)

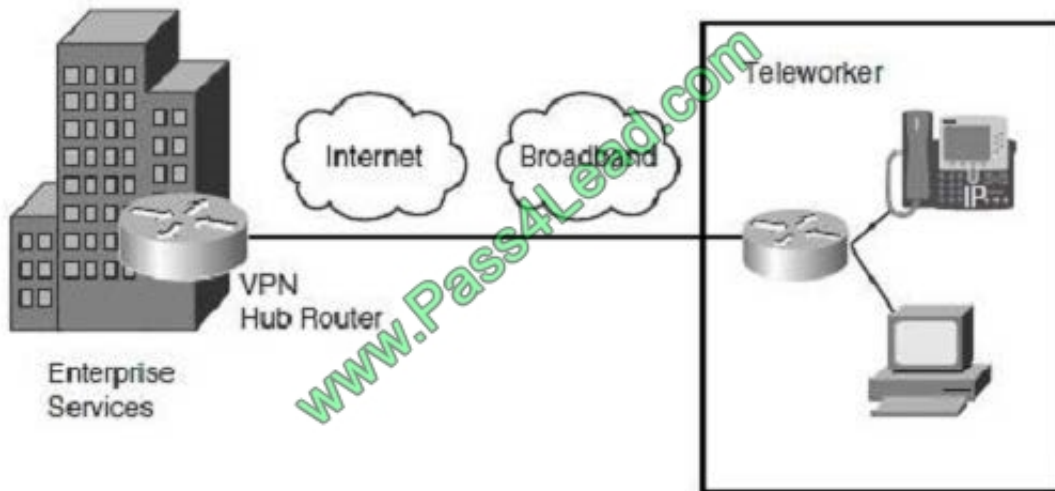
- A. Cisco Unified IP Phone
- B. Cisco 880 Series Router
- C. Aironet Office Extend Access Point
- D. Catalyst 3560 Series Switch
- E. Cisco 2900 Series Router
- F. MPLS Layer 3 VPN
- G. Leased lines

Correct Answer: ABC

A Cisco ASR is used to terminate Teleworker solutions, not a 2900 series router. Hybrid teleworker uses Aironet, Advanced teleworker uses 880, both use IP phones. google: "at\_a\_glance\_c45-652500.pdf" for details

The Cisco Virtual Office Solution for the Enterprise Teleworker is implemented using the Cisco 800 series ISRs. Each ISR has integrated switch ports that then connect to the user's broadband connection. The solution uses a permanent always-on IPsec VPN tunnel back to the corporate network. This architecture provides for centralized IT security management, corporate-pushed security policies, and integrated identity services. In addition, this solution supports the enterprise teleworker needs through advanced applications such as voice and video. For example, the enterprise teleworker can take advantage of toll bypass, voicemail, and advanced IP phone features not available in the PSTN.

Enterprise Teleworker Module The enterprise teleworker module consists of a small office or a mobile user who needs to access services of the enterprise campus. As shown in Figure 2-14, mobile users connect from their homes, hotels, or other locations using dialup or Internet access lines. VPN clients are used to allow mobile users to securely access enterprise applications. The Cisco Virtual Office solution provides a solution for teleworkers that is centrally managed using small integrated service routers (ISR) in the VPN solution. IP phone capabilities are also provided in the Cisco Virtual Office solution, providing corporate voice services for mobile users.



---

### QUESTION 3

An engineer wants to find all of the objects of a certain type available in the MIB. Which kind of query must be performed?

- A. Object-level
- B. Tree-level
- C. Class-level
- D. Subtree-level

Correct Answer: A

---

### QUESTION 4

Which option is one of the methods that Cisco routers and switches can use to share information between directly connected devices on a regular basis?

- A. NetFlow
- B. ARP
- C. NHRP D. CDP

Correct Answer: D

---

### QUESTION 5

The network-design process is limited by many external constraints. Which origins are of these constraints?

A. Technological, worldwide standards, social, and managerial

B. Technological, political, social, and economical

C. Technological, cost, social, and economical

D. Managerial, political, social, and economical

Correct Answer: B

---

### QUESTION 6

Which WLC interface is dedicated for WLAN client data?

A. virtual interface

B. dynamic interface

C. management interface

D. AP manager interface

E. service port interface

Correct Answer: B

WLC Interface Types

A WLC has five interface types:

Management interface (static, configured at setup, mandatory) is used for in-band management, connectivity to AAA, and Layer 2 discovery and association. Service-port interface (static, configured at setup, optional) is used for out-of-band

management. It is an optional interface that is statically configured. AP manager interface (static, configured at setup, mandatory except for 5508 WLC) is used for Layer 3 discovery and association. It has the source IP address of the AP that

is statically configured.

Dynamic interface (dynamic) is analogous to VLANs and is designated for WLAN client data.

Virtual interface (static, configured at setup, mandatory) is used for layer 3 security authentication, DHCP relay support, and mobility management.

---

### QUESTION 7

Which three technologies are recommended to be used for WAN connectivity in today's Enterprise Edge designs? (Choose three.)

A. DWDM

B. Metro Ethernet

- C. Frame Relay
- D. MPLS VPN
- E. ISDN
- F. DSL
- G. Wireless

Correct Answer: ABD

There is some discussion about whether ISDN not DWDM should be the answer but it does say TODAY'S network

---

### QUESTION 8

You want to gather as much detail as possible during a network audit with a minimal impact on the network devices themselves. Which tool would you use to include data time stamping across a large number of interfaces while being customized according to each interface?

- A. RMON
- B. SNMPv3
- C. NetFlow
- D. Cisco Discovery Protocol

Correct Answer: C

---

### QUESTION 9

An application uses broadcast traffic to send data to IPv4 hosts. How can the application communicate using IPv6?

- A. Anycast
- B. Unicast
- C. Broadcast
- D. Multicast

Correct Answer: D

---

### QUESTION 10

Your supervisor has asked you to deploy a routing protocol within the lab environment that will allow for unequal cost multipath routing. Which should you choose?

- A. EIGRP

B. OSPF

C. IS-IS

D. RIP

Correct Answer: A

---

#### **QUESTION 11**

Which IP telephony component supports VoIP, PoE, and QoS?

A. client endpoints

B. voice-enabled infrastructure

C. Cisco Unified Communications Manager

D. Cisco Unified Contact Center

Correct Answer: B

---

#### **QUESTION 12**

What occurs to traffic when a Cisco APIC is removed from the data path of a Cisco ACI?

A. The fabric continues to forward the traffic.

B. The traffic is lost during convergence.

C. The traffic is queued during convergence.

D. The fabric reroutes the traffic to another APIC.

Correct Answer: A

---

#### **QUESTION 13**

Which design feature must be considered when the WAN bandwidth consumption and the number of wireless clients are growing in a centralized wireless network?

A. FlexConnect

B. bridging

C. high density

D. remove APs

Correct Answer: A

---

#### QUESTION 14

When designing for a remote worker, which two are typical requirements? (Choose two.)

- A. best-effort interactive and low-volume traffic patterns
- B. connections to the enterprise edge using Layer 2 WAN technologies
- C. always-on connection with SLA from ISP
- D. voice and IPsec VPN support
- E. high-end security devices with stateful firewall filtering
- F. dual or multihoming to ISPs

Correct Answer: CD

---

#### QUESTION 15

Your company's Cisco routers are operating with EIGRP. You need to join networks with an acquisition's heterogeneous routers at 3 sites, operating with EIGRP and OSPF. Which describes the best practice for routing protocol deployment?

- A. Apply OSPF throughout both networks
- B. Apply one-way redistribution exclusively at each location
- C. Apply two-way redistribution exclusively at each location
- D. Apply two-way redistribution at each location with a route filter at only one location
- E. Apply two-way redistribution at each location with a route filter at each location
- F. Apply EIGRP with the same autonomous system throughout both networks

Correct Answer: E

Without filters there is possibility of routing loops.

Reference: [http://www.cisco.com/en/US/tech/tk365/technologies\\_tech\\_note09186a008009487e.shtml](http://www.cisco.com/en/US/tech/tk365/technologies_tech_note09186a008009487e.shtml)

---

#### QUESTION 16

Which address type is 225.10.1.1?

- A. Unicast
- B. Anycast
- C. Multicast

D. Broadcast

Correct Answer: C

---

#### **QUESTION 17**

An internal network has servers with private IPv4 addresses that must be visible from the public network. Which kind of address translation should be used to ensure this?

- A. many-to-one translation (PAT)
- B. many-to-one translation (Dynamic NAT)
- C. one-to-one translation (Static NAT)
- D. one-to-one translation (NAT Traversal)

Correct Answer: C

---

#### **QUESTION 18**

Which key feature does a modular design approach provide?

- A. fault isolation
- B. efficiency
- C. performance
- D. manageability

Correct Answer: B

---

#### **QUESTION 19**

While designing a highly resilient infrastructure, which layer is typically a single point of failure?

- A. internet
- B. WAN
- C. distribution
- D. access

Correct Answer: D

---

#### **QUESTION 20**



A dynamically routed private line and a statically routed IPsec tunnel connect two offices. What routing configuration prefers the IPsec tunnel only in the event of a private line failure?

- A. floating static entry
- B. EIGRP variance
- C. bandwidth metric
- D. OSPF maximum paths

Correct Answer: A

---

#### **QUESTION 21**

What is the length of the key used with Triple Data Encryption Standard (3DES)?

- A. 64 bits
- B. 168 bits
- C. 128 bits
- D. 56 bits

Correct Answer: B

---

#### **QUESTION 22**

High availability is required for a critical remote office of an enterprise. The office has already deployed two redundant WAN connections. Which action can be done to the edge router to improve the availability of the remote office?

- A. Replace the fiber uplinks with copper
- B. Use modular line cards
- C. Add dual power supplies
- D. Upgrade the uplinks from 100MB to 1G.

Correct Answer: B

---

#### **QUESTION 23**

What is the recommended spanning tree protocol to use for all Layer 2 deployments in a branch office environment?

- A. CST
- B. RSPT
- C. PVST

D. MISTP

E. Rapid PVST +

Correct Answer: E

---

#### **QUESTION 24**

Data link switching is typically used in which Enterprise Campus Module layer?

A. Server Farm

B. Campus Core

C. Building Access

D. Building Distribution

E. Internet Connectivity

Correct Answer: C

---

#### **QUESTION 25**

Which two benefits of using a modular enterprise network design are true? (Choose two.)

A. easy IOS services configuration

B. ease of implementation

C. allows unplanned network growth

D. supports VRF for end-to-end on-net security

E. scalable and flexible model

Correct Answer: CE

---

#### **QUESTION 26**

Which RFC defines the IPv6 standard?

A. RFC 1918

B. RFC 2338

C. RFC 2460

D. RFC 2740

Correct Answer: C

---

**QUESTION 27**

As a network engineer, can you tell me accounting management on a network-management system allows a network manager to perform which function?

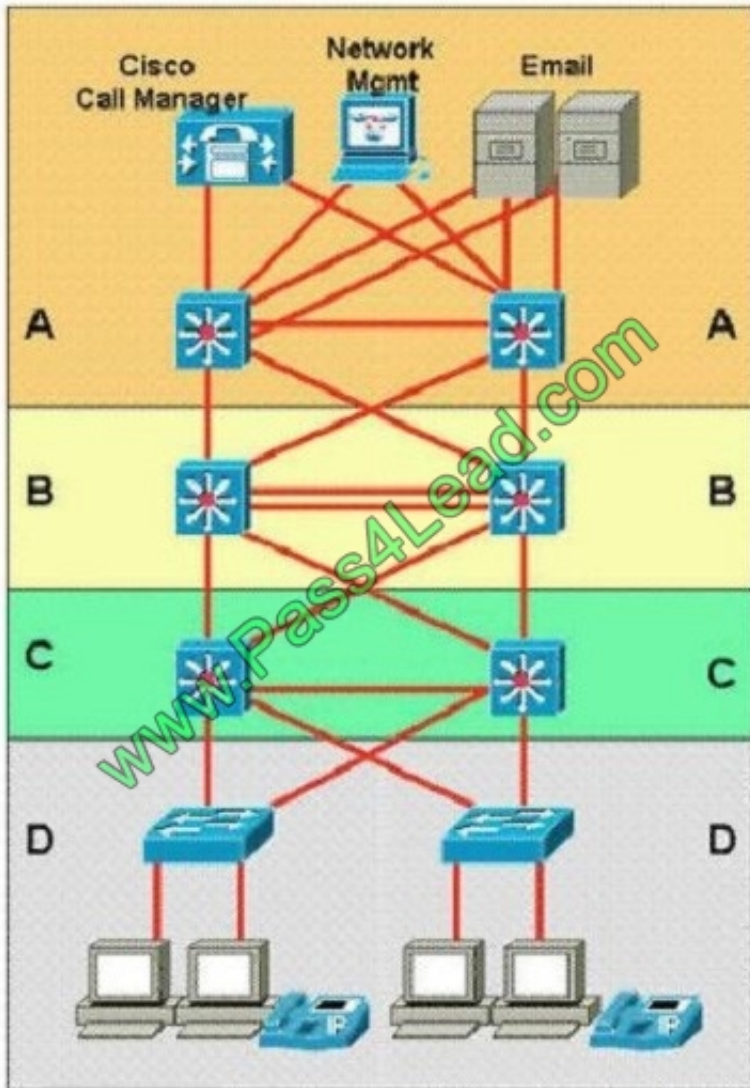
- A. Assess the network's effectiveness and throughput
- B. Charge back to users for network resources
- C. Performance management
- D. Identify problem areas in the network

Correct Answer: B

---

**QUESTION 28**

Refer to the exhibit.



Which two statements correctly identify the layers of the Enterprise Campus module? (Choose two.)

- A. A is the Data Center Module and C is the Campus Core layer.
- B. A is the Data Center Module and D is the Building Access layer.
- C. B is the Campus Core layer and C is the Building Distribution layer.
- D. B is the Building Distribution layer and C is the Campus Core layer.
- E. A is the Internet Connectivity layer and B is the Campus Core layer.
- F. B is the Building Distribution layer and D is the Building Access layer.

Correct Answer: BC

Module characteristics show to which category the blocks belong to.

Reference: <http://www.cisco.com/en/US/docs/solutions/Enterprise/Campus/campover.html#wp708780>

**QUESTION 29**

With which of the following capabilities does RIPv2 improve RIPv1?

- A. Multicast updates, authentication, variable-length subnet mask (VLSM)
- B. Authentication, VLSM, hop count
- C. Multicast updates, authentication, hop count
- D. Multicast updates, hop count

Correct Answer: A

---

**QUESTION 30**

Which two statements about the Enterprise Data Center Aggregation submodule are correct? (Choose two.)

- A. it provides Layer 4-7 services
- B. it should never support STP
- C. it is the critical point for control and application services
- D. it typically provides Layer 2 connectivity from the data center to the core

Correct Answer: AC

---

**QUESTION 31**

What is the maximum number of groups that is supported by GLBP?

- A. 64
- B. 256
- C. 512
- D. 1024

Correct Answer: D

---

**QUESTION 32**

What three design best practices are key functions of the distribution layer? (Choose three.)

- A. fault domain isolation
- B. admission control
- C. access switch aggregation

- D. QoS tagging
- E. address summarization
- F. end user and application isolation

Correct Answer: ACE

---

### QUESTION 33

Which option is an example of physical device virtualization?

- A. VSS
- B. VPN
- C. VRF
- D. VLAN

Correct Answer: A

---

### QUESTION 34

Which two statements best describe an OSPF deployment? (Choose two.)

- A. ABR provides automatic classful network boundary summarization.
- B. ABR requires manual configuration for classful network summarization.
- C. External routes are propagated into the autonomous system from stub areas via ASBR.
- D. External routes are propagated into the autonomous system from regular areas or NSSA via ASBR.
- E. External routes are propagated into the autonomous system from regular areas or NSSA via ABR.

Correct Answer: BD

---

### QUESTION 35

Which design is the recommended geometric design for routed topologies?

- A. linear
- B. triangular
- C. rectangular
- D. circular

Correct Answer: B

---

**QUESTION 36**

What does CDP stand for?

- A. Collection Device Protocol
- B. Campus Discovery Protocol
- C. Cisco Device Protocol
- D. Cisco Discovery Protocol

Correct Answer: D

---

**QUESTION 37**

Observe the following options, what is the hierarchy for IPv6 aggregatable addresses?

- A. Global, site, loop
- B. Multicast, anycast, unicast
- C. Public, site, interface
- D. Internet, site, interface

Correct Answer: C

---

**QUESTION 38**

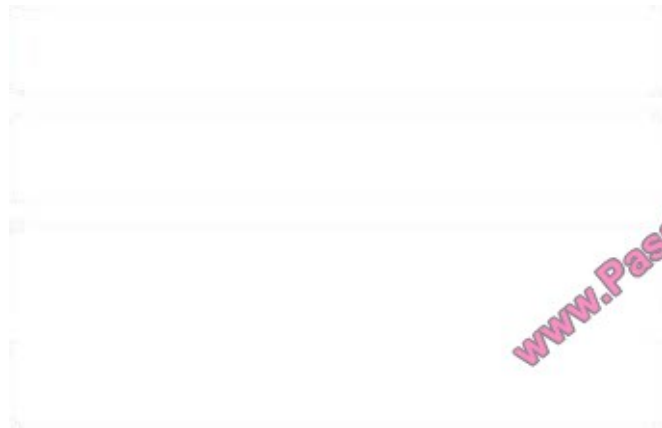
Drag the term on the left to the matching deployment scenario on the right.

Select and Place:

static NAT	translate a pool of addresses
dynamic NAT	translate from IPv4 to IPv6
NAT overload	translate addresses one-to-one
NAT-PT	translate using different ports

*www.Pass4Lead.com*

Correct Answer:



dynamic NAT

NAT-PT

static NAT

NAT overload

[www.Pass4Lead.com](http://www.Pass4Lead.com)

---

### QUESTION 39

Which two devices support context virtualization? (Choose two.)

- A. Cisco ASR 1000 Series Aggregation Services Router
- B. Cisco 5520 Series Wireless LAN Controller
- C. Cisco ASA
- D. Cisco Catalyst 9500 Series Switch
- E. Cisco Nexus 7000 Series Switch

Correct Answer: DE

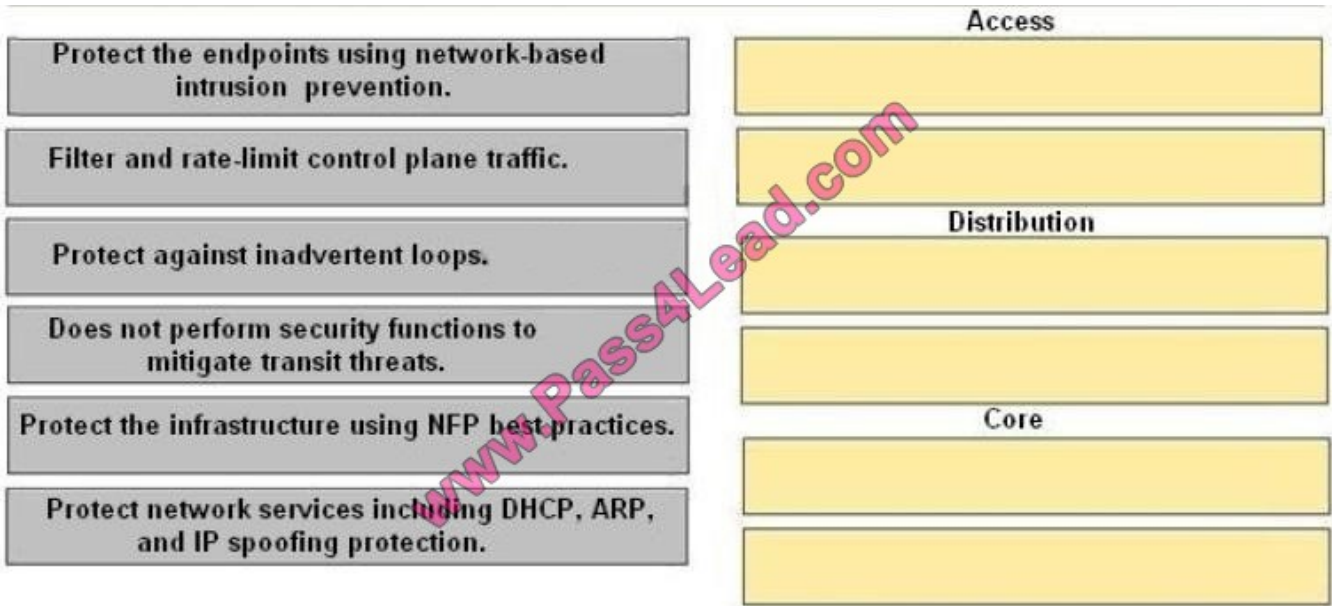
---

### QUESTION 40

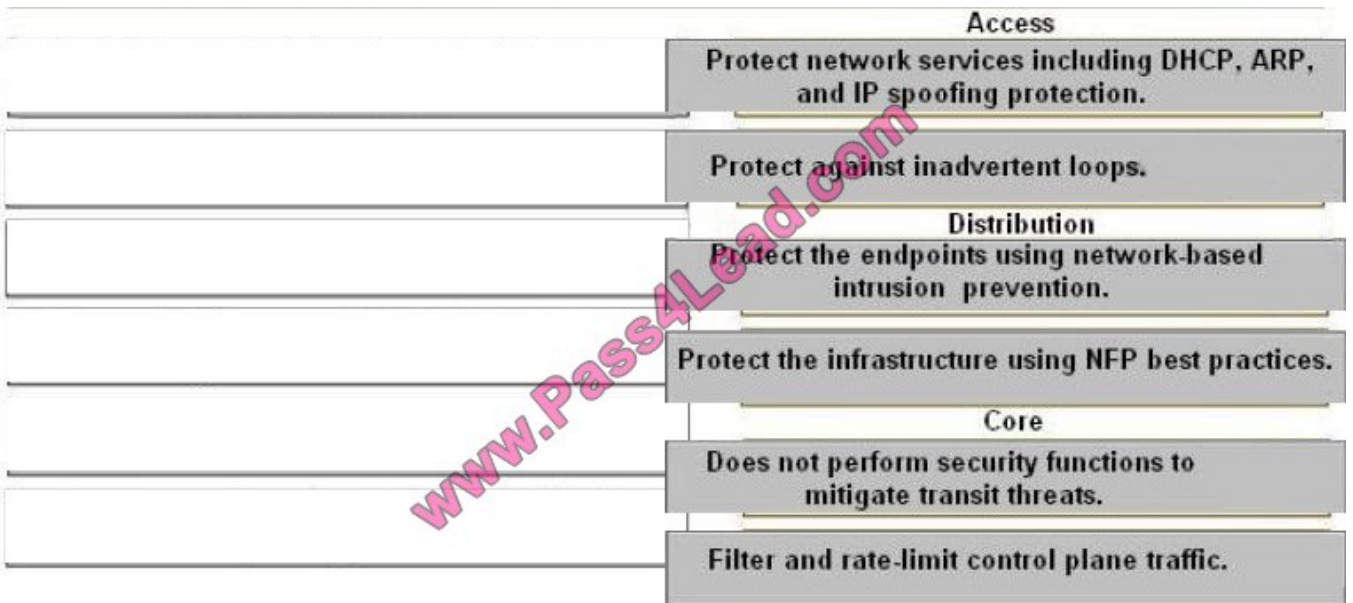
Drag the security provision on the left to the appropriate Network module on the right.

Select and Place:





Correct Answer:



To Read the [Whole Q&As](#), please purchase the [Complete Version](#) from [Our website](#).

## Try our product !

**100%** Guaranteed Success

**100%** Money Back Guarantee

**365** Days Free Update

**Instant Download** After Purchase

**24x7** Customer Support

Average **99.9%** Success Rate

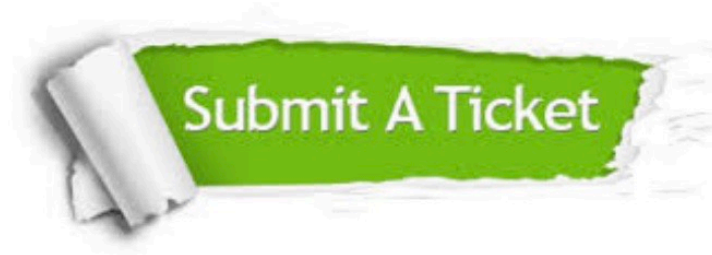
More than **800,000** Satisfied Customers Worldwide

Multi-Platform capabilities - **Windows, Mac, Android, iPhone, iPod, iPad, Kindle**

## Need Help

Please provide as much detail as possible so we can best assist you.

To update a previously submitted ticket:



 <p><b>One Year Free Update</b> Free update is available within One Year after your purchase. After One Year, you will get 50% discounts for updating. And we are proud to boast a 24/7 efficient Customer Support system via Email.</p>	 <p><b>Money Back Guarantee</b> To ensure that you are spending on quality products, we provide 100% money back guarantee for 30 days from the date of purchase.</p>	 <p><b>Security &amp; Privacy</b> We respect customer privacy. We use McAfee's security service to provide you with utmost security for your personal information &amp; peace of mind.</p>
---	---	--

Any charges made through this site will appear as Global Simulators Limited.

All trademarks are the property of their respective owners.