

100% Money Back
Guarantee

Vendor:Novell

Exam Code:50-696

Exam Name:Foundations of Novell Open Enterprise
Server NetWare

Version:Demo

QUESTION 1

Which type of OES NetWare network security controls who can manage objects in your tree?

- A. Login Security
- B. Printing Security
- C. eDirectory Security
- D. File System Security

Correct Answer: C

QUESTION 2

Which directory attribute prevents a directory from being compressed, even if compression is enabled at the volume level?

- A. P
- B. Dc
- C. Di
- D. Ic
- E. Ri
- F. Sy
- G. Ci

Correct Answer: B

QUESTION 3

You're planning to install your OES NetWare server into an existing tree. There are three servers already installed in the tree. They communicate with each other using the IPX protocol. One is a NetWare 4.1 server, one is a NetWare 4.2 server, and one is a NetWare 5.0 server. The NetWare 4.1 server has Support Pack 6 installed.

The NetWare 4.2 server has Support Pack 9 installed. The NetWare 5.0 server has Support Pack 6a installed. Will the installation of the OES NetWare server into this tree be successful?

- A. Yes, all prerequisite requirements have been met.
- B. No, Support Pack 9a or later must be installed on the NetWare 4.2 server.
- C. No, Support Pack 7 or later must be installed on the NetWare 5.0 server.

D. No, OES NetWare can't communicate with older servers using the IPX protocol.

E. No, the version of eDirectory included in OES NetWare is not compatible with NetWare 4.1 servers.

F. No, the version of eDirectory included in OES NetWare is not compatible with NetWare 4.2 servers.

Correct Answer: E

QUESTION 4

Every directory and file in the OES NetWare server file system has a(n) _____ that specifies the eDirectory objects that are trustees of the file or directory and what rights they have to it.

Correct Answer: Access Control List OR ACL Trustee List

QUESTION 5

Click the Point and Click button to begin.

An employee resigned his position in your company today. You need to remove his user object in the tree.

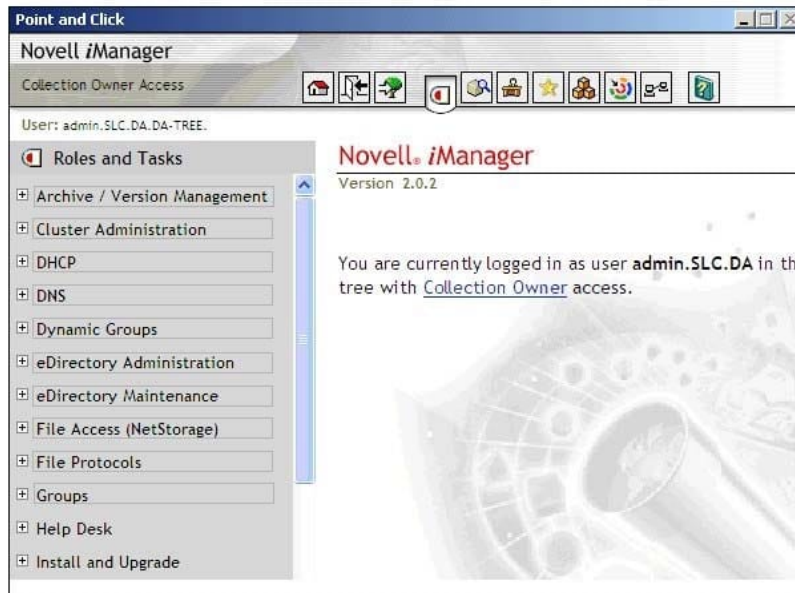
Click on the iManager option you would use to do this.

Correct Answer:

Point and Click

Click the Point and Click button to begin.

An employee resigned his position in your company today. You need to remove his user object in the tree. Click on the iManager option you would use to do this.



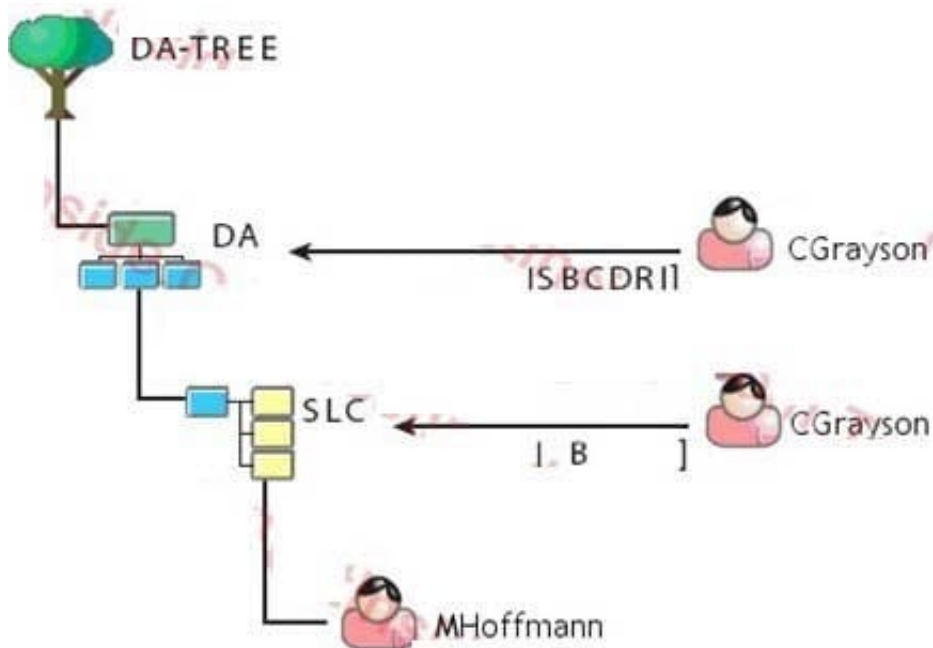
Click Next (or More) to continue.

Next

Help

QUESTION 6

Click the Exhibit button to begin.



Given the explicit right assignments shown, what rights does CGrayson have to the MHoffmann user object?

- A. Supervisor
- B. Browse
- C. Browse, Create
- D. Browse, Create, Delete
- E. Browse, Create, Delete, Rename, Inheritable
- F. Supervisor, Browse, Create, Delete, Rename
- G. Supervisor, Browse, Create, Delete, Rename, Inheritable
- H. CGrayson has no rights to the MHoffmann user object.

Correct Answer: B

QUESTION 7

You've made some configuration changes to your server's AUTOEXEC. NCF file. To make the changes effective, you need to shutdown and then reload the OES NetWare operating system. Which command will do this? (Choose 2.)

- A. DOWN
- B. EXIT

- C. INIT 6
- D. RESET SERVER
- E. REBOOT SERVER
- F. RESTART SERVER

Correct Answer: DF

QUESTION 8

Which product or service can you use to automatically configure Novell Client properties on multiple workstations? (Choose 2.)

- A. Rsync
- B. OpenSSH
- C. Virtual Office
- D. ZENworks for Desktops
- E. Domain Name System (DNS)
- F. Network Time Protocol (NTP)
- G. Dynamic Host Configuration Protocol (DHCP)

Correct Answer: DG

QUESTION 9

Which are features of an iPrint controlled access printer? (Choose 2.)

- A. Requires minimal administrative action.
- B. Is not bound by eDirectory security rules.
- C. Represented by an object in the eDirectory tree.
- D. Available only to users who have rights to use it.
- E. Immediately accessible upon creation by all users in the network.

Correct Answer: CD

QUESTION 10

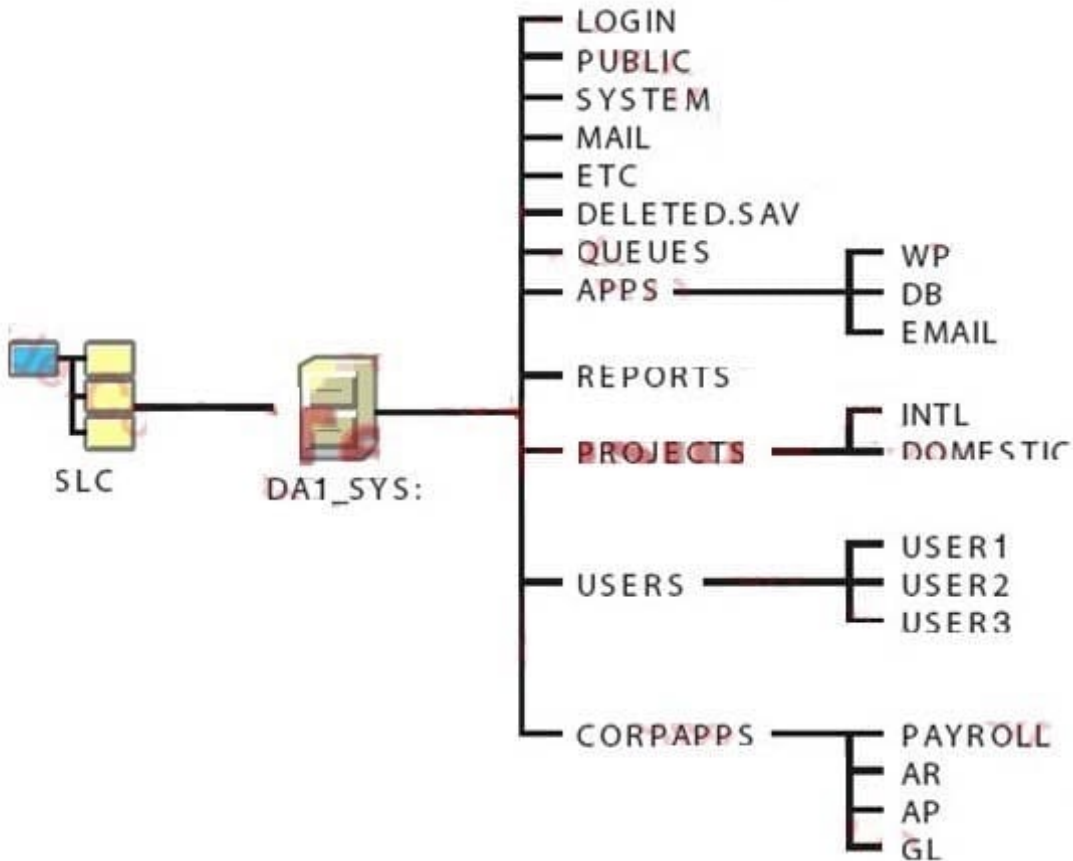
Which is the third file processed as the OES NetWare operating system boots?

- A. SERVER.EXE
- B. CONFIG.NCF
- C. STARTUP.NCF
- D. STARTUP.CFG
- E. AUTOEXEC. BAT
- F. AUTOEXEC. NCF

Correct Answer: C

QUESTION 11

Click the Exhibit button to begin.



Which elements of the file system design shown in the exhibit violate Novell's recommendations? (Choose 2.)

- A. The LOGIN directory isn't needed.
- B. The design should have more than one volume.
- C. The ETC directory should be placed under the USERS directory.

- D. The APPS directory should be placed under the SYSTEM directory.
- E. The QUEUES directory should be moved under the PUBLIC directory.
- F. User and application directories should be moved to a volume other than SYS.

Correct Answer: BF

QUESTION 12

Which eDirectory object type is located at the top-most level of the eDirectory tree?

- A. Leaf object
- B. Tree root object
- C. Container object
- D. Redirector object
- E. Tree schema object
- F. Tree boundary object

Correct Answer: B