

Exam : **642-961**

Title : Cisco Data Center
Networking Infrastructure
Solutions design

Version : DEMO

1. Which statement best describes the data center core layer?

- A. connects to the campus aggregation layer
- B. provides a resilient Layer 2 routed fabric
- C. is typically merged with the campus core layer
- D. load balances traffic between the core and aggregation layers

Answer: D

2. Which type of network in an HPC environment most requires low latency?

- A. MPI
- B. access
- C. private
- D. storage

Answer: A

3. Which type of HPC application requires low latency?

- A. financial analytics
- B. finite element analysis
- C. digital image rendering
- D. seismic and geophysical modeling

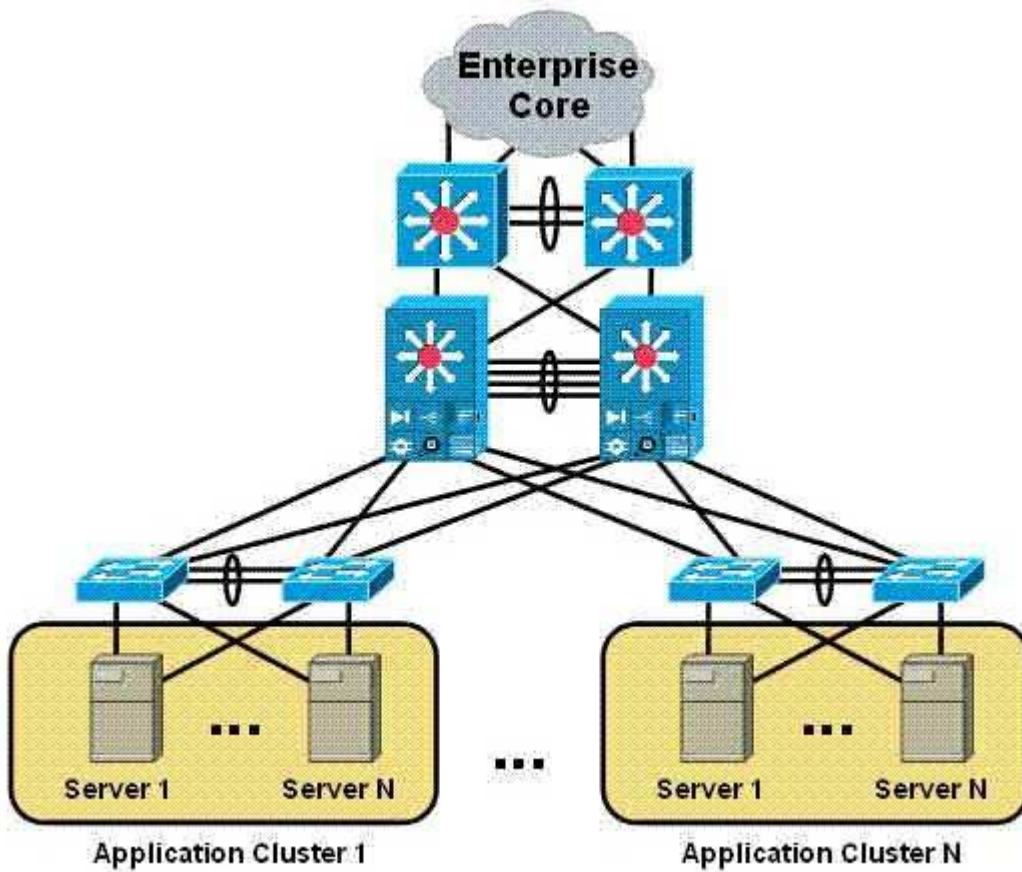
Answer: B

4. A very large blade-server deployment has high throughput requirements for both data and storage networks. Which access layer option would you recommend?

- A. blade server Ethernet switch with Cisco SFS 3000 Series Multifabric Switch
- B. blade server InfiniBand switch with Cisco SFS 3000 Series Multifabric Switch
- C. blade server Ethernet switch that is connected to Cisco Catalyst 4948 top-of-rack switch
- D. blade server Ethernet switch that is connected to Cisco Catalyst 6500 Series end-of-rack switch

Answer: B

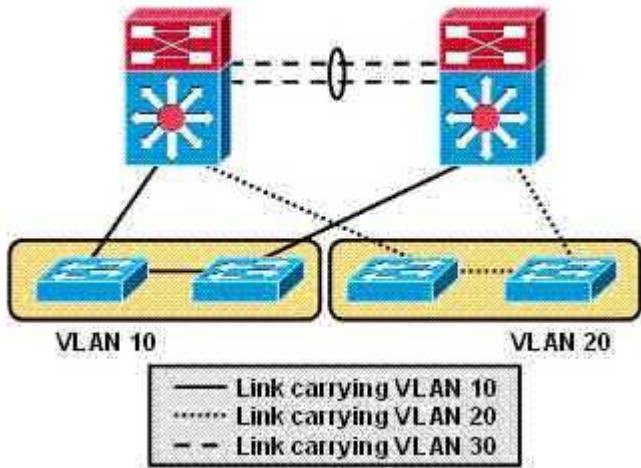
5. Refer to the exhibit. Where is Layer 2 adjacency required?



- A. server-to-server only
- B. access-to-server only
- C. aggregation-to-access only
- D. aggregation-to-access and access-to-server

Answer: B

6. Refer to the exhibit. What is a feature of this spanning-tree topology?



- A. VLANs are not restricted to access-switch pairs.
- B. Only one aggregation-to-access uplink is active at a given time.
- C. If the link between access-switch pairs is broken, the return IP path may be broken.
- D. Uplink failures on access layer switches will not break connectivity between servers and service modules in the aggregation layer.

Answer: C

7. How is FCIP traffic marked with DSCP values?

- A. The Cisco MDS 9000 Series Multilayer Switch marks one DSCP value per FCIP tunnel.
- B. The Cisco MDS 9000 Series Multilayer Switch marks two DSCP values per FCIP tunnel.
- C. The aggregation layer Ethernet switch marks one DSCP value per FCIP tunnel.
- D. The aggregation layer Ethernet switch marks two DSCP values per FCIP tunnel.

Answer: B

8. Which of the following attack types should be mitigated in the data center core layer?

- A. port scans
- B. IP spoofing
- C. DDoS attacks
- D. MAC address spoofing

Answer: C

9. Which statement is correct about the Cisco Catalyst 4948 Switch?

- A. is nonblocking
- B. performs only Layer 2 switching
- C. has up to 48-Gbps wire-speed performance
- D. balances lower cost with lower-performance access layer switching

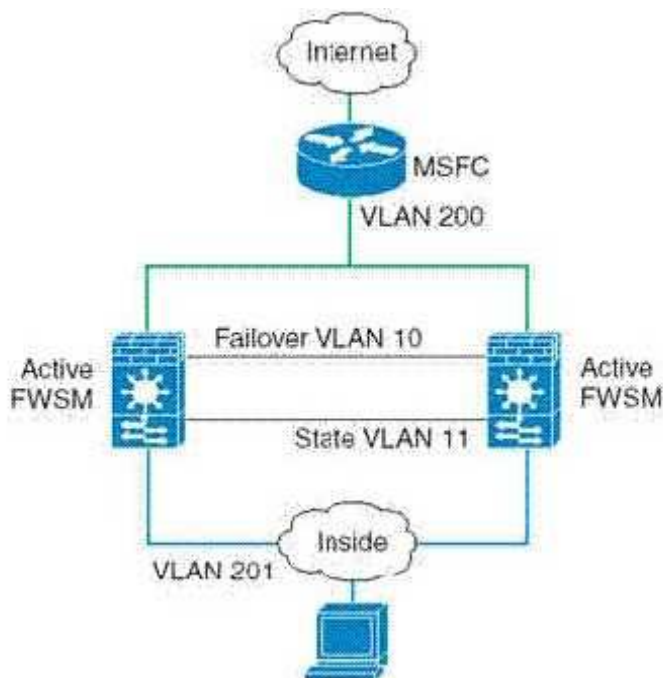
Answer: A

10. Which statement describes an IDS module operating in inline rather than promiscuous mode?

- A. lower latency
- B. higher latency
- C. lower throughput
- D. higher throughput
- E. higher latency and lower throughput
- F. lower latency and higher throughput

Answer: B

11. Refer to the exhibit. What do you need to configure to prevent spanning-tree loops from occurring between the two FWsMs?



- A. FWsMs in transparent mode
- B. ether type ACLs to allow BPDUs

C. FWSMs in multiple-context mode

D. failover and state interfaces on the same VLAN

Answer: B

12. How many FWSM modules are needed to support 8 Gbps of throughput through an aggregation module?

A. one

B. two

C. four

D. eight

Answer: B

13. What advantage do 10-Gigabit Ethernet uplinks have over EtherChannels?

A. more reliable

B. higher bandwidth

C. faster convergence time

D. better load balancing of traffic

Answer: D

14. According to Cisco best practice, which service module should be placed in service switches within the aggregation layer?

A. NAM

B. CSM

C. IDSM

D. FWSM

Answer: B

15. What is the total bandwidth available to a Cisco Catalyst 6500 Series CEF720 line card?

A. 16 Gbps

B. 20 Gbps

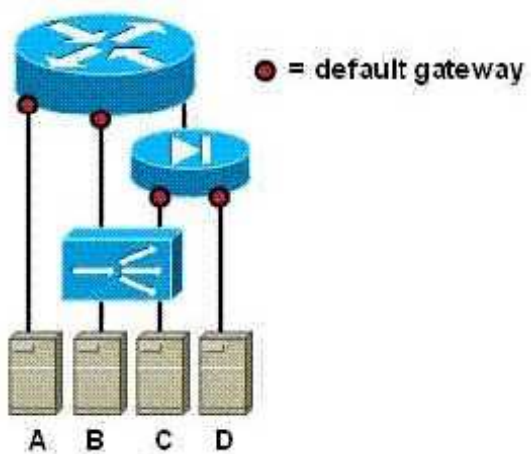
C. 32 Gbps

D. 40 Gbps

E. 48 Gbps

Answer: D

16. Refer to the exhibit. Each letter (A-D) represents a model for placement of a default gateway. Which model allows the maximum number of application and security services?



A. model A

B. model B

C. model C

D. model D

Answer: C

17. Which three of the following service modules can be deployed in redundant pairs with active/active failover? (Choose three.)

A. ACE

B. CSM

C. NAM

D. IDSM

E. FWSM

F. SSLSM

Answer: ADE

18. What is the Cisco best-practice recommendation for the maximum number of HSRP instances per aggregation module?

A. 3

B. 30

C. 300

D. no recommended maximum

Answer: C

19. Which security technique would you use to protect servers from SYN-flooding DoS attacks?

A. uRPF

B. TCP intercept

C. TCP RPF check

D. drop and shutdown thresholds

Answer: B

20. Which data center network-architecture change is a result of the adoption of blade and 1-RU server technologies?

A. Layer 3 fault domains growing larger B.

Layer 2 fault domains growing larger C.

Layer 3 fault domains growing smaller

D. Layer 2 fault domains growing smaller

Answer: B

Trying our product !




- ★ **100%** Guaranteed Success
- ★ **100%** Money Back Guarantee
- ★ **365 Days** Free Update
- ★ **Instant Download** After Purchase
- ★ **24x7** Customer Support
- ★ Average **99.9%** Success Rate
- ★ More than **69,000** Satisfied Customers Worldwide
- ★ Multi-Platform capabilities - **Windows, Mac, Android, iPhone, iPod, iPad, Kindle**

Need Help

Please provide as much detail as possible so we can best assist you.

To update a previously submitted ticket:



 One Year Free Update Free update is available within One Year after your purchase. After One Year, you will get 50% discounts for updating. And we are proud to boast a 24/7 efficient Customer Support system via Email.	 Money Back Guarantee To ensure that you are spending on quality products, we provide 100% money back guarantee for 30 days from the date of purchase.	 Security & Privacy We respect customer privacy. We use McAfee's security service to provide you with utmost security for your personal information & peace of mind.
---	---	--

Guarantee & Policy | Privacy & Policy | Terms & Conditions

Any charges made through this site will appear as Global Simulators Limited.

All trademarks are the property of their respective owners.

Copyright © 2004-2014, All Rights Reserved.