

100% Money Back
Guarantee

Vendor:EC-COUNCIL

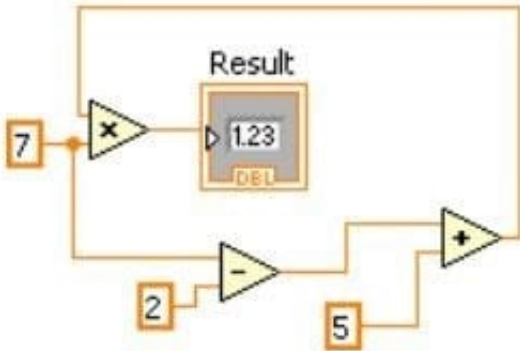
Exam Code:CLAD

Exam Name:Certified LabVIEW Associate Developer
Examination

Version:Demo

QUESTION 1

In the figure below, what will Result equal when this calculation is executed?



B. 70

C. 65

D. Indeterminate

Correct Answer: B

QUESTION 2

Which VI memory components are ALWAYS resident for a SubVI? (Choose all apply)

A. Data Space

B. Front Panel

C. Block Diagram

D. Code

Correct Answer: AD

QUESTION 3

Which of the following cannot be used to transfer data?

A. Local variables

B. Queues

C. Semaphores

D. Notifiers

Correct Answer: C

QUESTION 4

Formula nodes accept which of the following operations?

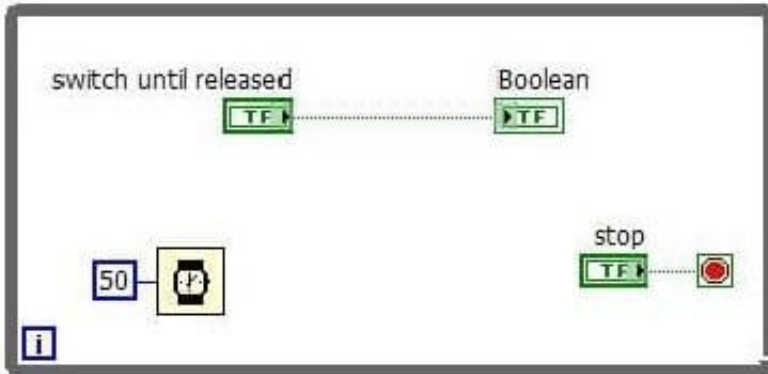
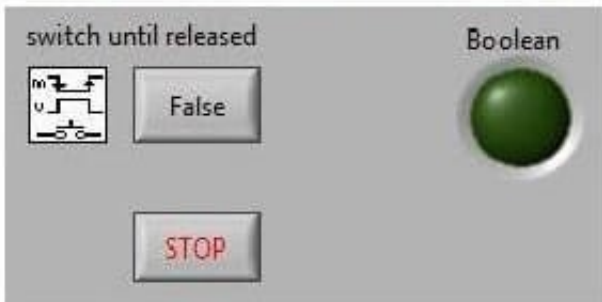
- A. Basic programming language instructions Input and Print
- B. Embedding of SubVIs within the Formula Node
- C. Pre and post increment (++) and decrement (--) as in the C language
- D. The use of nested Formula Node structures

Correct Answer: C

QUESTION 5

Consider the VI and user actions.

What value will be displayed in the Boolean indicator at 7 seconds and 17 seconds, respectively?



| Time in Seconds | User Action |
|-----------------|--|
| 0 | Clicks Run Arrow |
| 5 | Press the switch until released button |
| 8 | Releases the switch until released button |
| 15 | Press the switch until released button |
| 16 | Releases the switch until released button |
| 20 | Clicks the stop button |

- A. TRUE, TRUE
- B. FALSE, TRUE
- C. FALSE, FALSE
- D. TRUE, FALSE

Correct Answer: A

QUESTION 6

You can use all of the following data types as inputs to the case selector terminal except:

- A. Doubles
- B. Enumerated type values

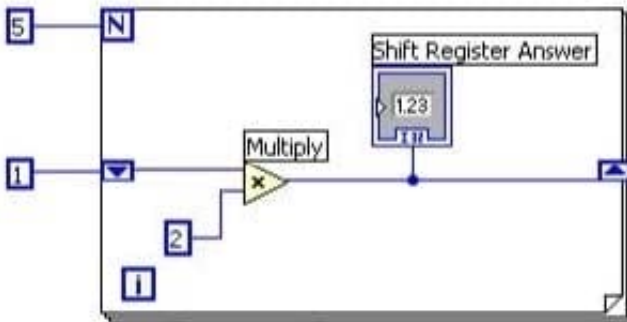
C. Strings

D. Integers

Correct Answer: A

QUESTION 7

What is the value in Shift Register Answer after the following code has executed?



A. 16

B. 24

C. 32

D. 10

Correct Answer: C

QUESTION 8

Which of the following statements regarding the index of Arrays are NOT true?

A. The index is used to access a particular element of an Array.

B. The index ranges from 1 to n.

C. A 2-D Array has both a column index and a row index.

D. The index ranges from 0 to n-1.

Correct Answer: B

QUESTION 9

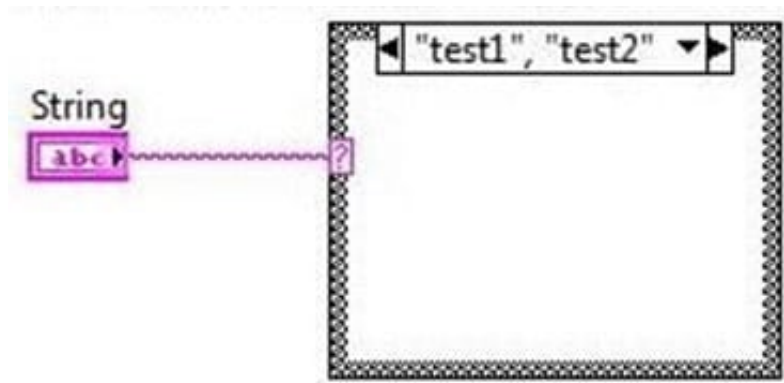
The following breakpoint does which of the following:

- A. Causes the VI to abort
- B. Causes the VI to pause
- C. Causes the VI to single step over the addition
- D. Causes the VI to single step over the indicator

Correct Answer: B

QUESTION 10

Which of the following scenarios would case this VI to be broken?



- A. String has a default value other than "test1" or "test2"
- B. Handling more than one value of String in the same case
- C. The case structure does not have a Default case
- D. The selector tunnel is not wired within the case structure

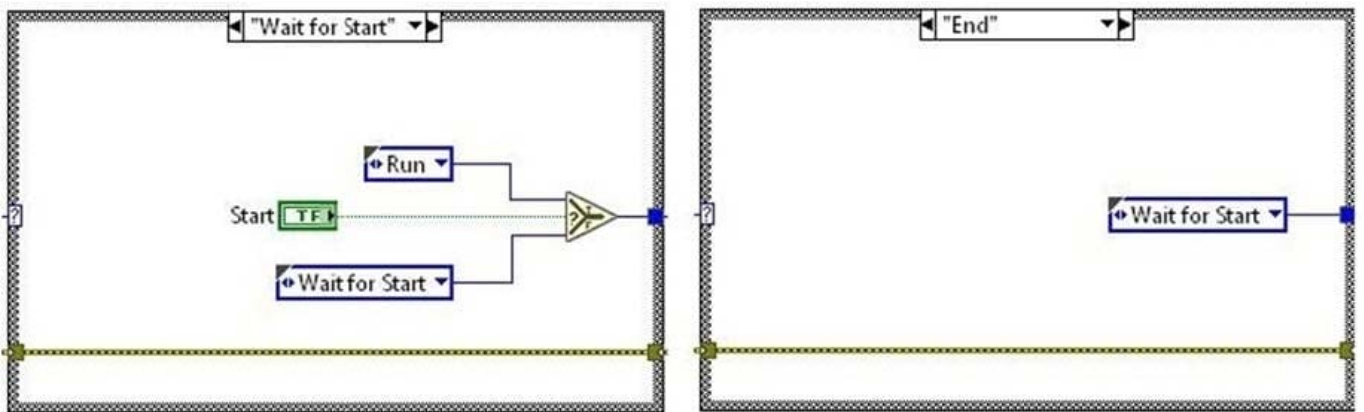
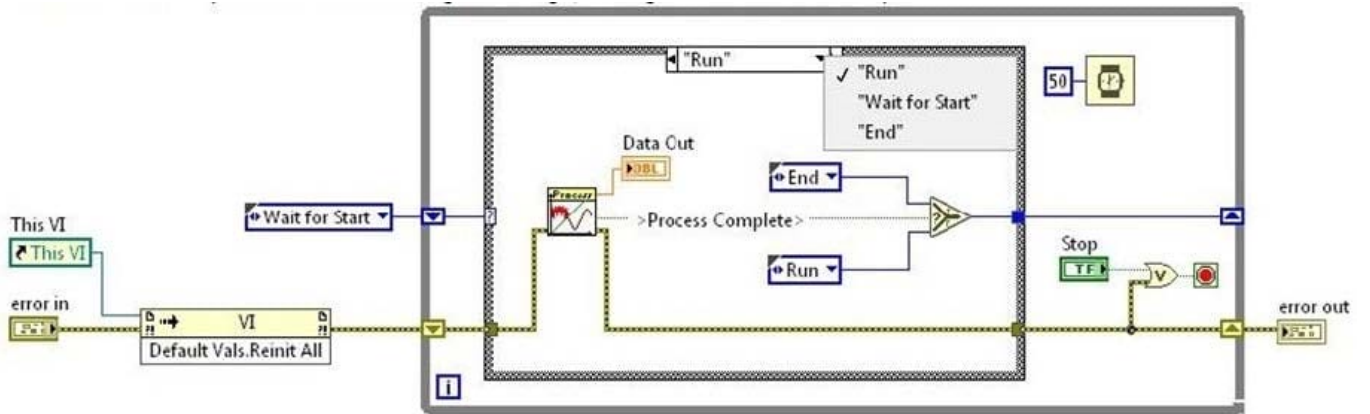
Correct Answer: C

QUESTION 11

The operator of this VI presses the run arrow, then presses the Start button.

After 3 seconds the Process SubVI sends a "True" value for "Process Complete."

What is the entire sequence of States this VI goes through, starting when the run arrow is pressed?



- A. Run, Wait for Start, End, Wait for Start
- B. Run, Wait for Start, End
- C. Wait for Start, Run, End, Wait for Start
- D. Wait for Start, Run, End

Correct Answer: B

QUESTION 12

Which Chart update mode should be used to draw new data from left to right, then clear the chart and draw new data again from left to right?

- A. Strip Chart
- B. Scope Chart
- C. Sweep Chart
- D. Step Chart

Correct Answer: B