

**Exam** : **HP0-045**

**Title** : Supporting the ESL  
E-Series Libraries

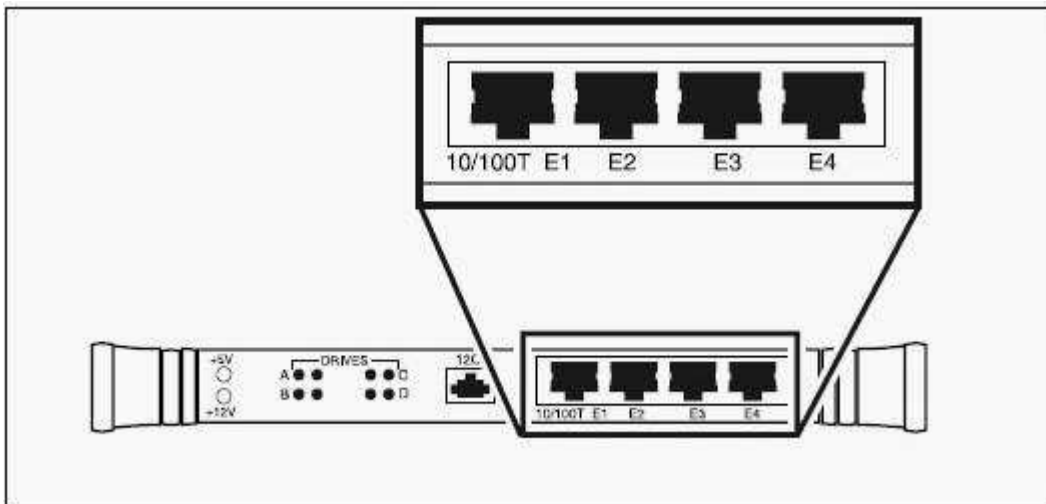
**Version** : DEMO

1. What is required to access the Advanced Secure Manager features in Command View ESL?

- A. the appropriate license key
- B. valid user access permissions
- C. a special administrator password
- D. a suitable advanced user account

**Correct: A**

2. Click the Exhibit button. Which component is connected to port E1 of the cluster controller if it is in drive cluster 0?



- A. cabinet controller
- B. interface controller
- C. lower cluster controller
- D. Interface Manager card

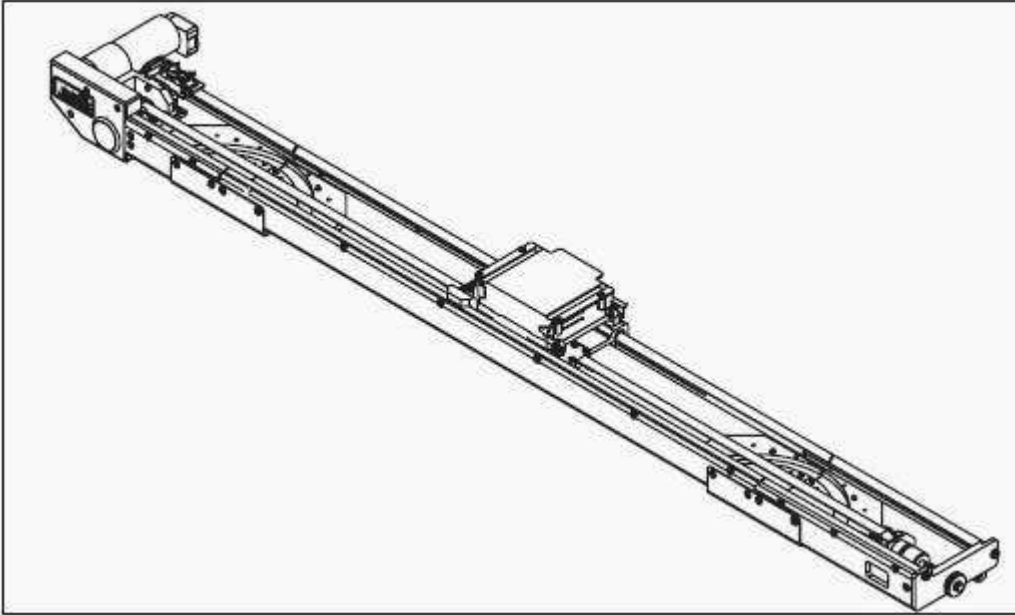
**Correct: A**

3. What does the OCP display when a library hangs because there are more than one hundred unlabeled tape cartridges in the library?

- A. Error 22
- B. Please wait
- C. Going on line
- D. Inventory failure

**Correct: C**

4. Click the Exhibit button. Which tape library component (used to carry data cartridges to a secondary cabinet) is shown on the figure?



- A. CLM arm
- B. CLM controller
- C. picker assembly
- D. cartridge transfer robot

**Correct:A**

**5. Which scheme is used in the command line interface for drive and slot numbers in ESL E-Series tape libraries?**

- A. 0 based
- B. 1 based
- C. 2 based
- D. Hex based

**Correct:B**

**6. Which port number is required when starting a Command View TL session?**

- A. 2301
- B. 4095
- C. 4444
- D. 5555

**Correct:B**

**7. You are performing a firmware upgrade using Command View TL and a Telnet session terminates it prematurely. What is the most likely outcome?**

- A. The Telnet session is automatically aborted.
- B. Telnet automatically aborts the other session, but the upgrade continues.
- C. Command View TL takes precedence and continues the firmware upgrade.
- D. The firmware upgrade aborts and the device being upgraded may need physical repair.

**Correct:D**

**8. What does the cabinet controller assembly of an ESL E-Series tape library provide a SCSI interface to?**

- A. tape devices

B.library robotics C.management  
interface card D.e2400-160

Interface Controller **Correct:B**

**9.Which capabilities of a TCP/IP connection are delivered by the Simple Internet Protocol Plus (SIPP)?**

- A.small packets and ECC
- B.error handling and retries
- C.increased bandwidth and performance
- D.faster command propagation on inexpensive copper interconnect

**Correct:B**

**10.For which connection, other than the cabinet controller, is the I2C network cable used?**

- A.external LANs
- B.cluster controllers
- C.interface management cards
- D.Fibre Channel interface controllers

**Correct:B**

# Trying our product !

- ★ **100%** Guaranteed Success
- ★ **100%** Money Back Guarantee
- ★ **365 Days** Free Update
- ★ **Instant Download** After Purchase
- ★ **24x7** Customer Support
- ★ Average **99.9%** Success Rate
- ★ More than **69,000** Satisfied Customers Worldwide
- ★ Multi-Platform capabilities - **Windows, Mac, Android, iPhone, iPod, iPad, Kindle**

## Need Help

Please provide as much detail as possible so we can best assist you.

To update a previously submitted ticket:



 <b>One Year Free Update</b> <p>Free update is available within One Year after your purchase. After One Year, you will get 50% discounts for updating. And we are proud to boast a 24/7 efficient Customer Support system via Email.</p>	 <b>Money Back Guarantee</b> <p>To ensure that you are spending on quality products, we provide 100% money back guarantee for 30 days from the date of purchase.</p>	 <b>Security &amp; Privacy</b> <p>We respect customer privacy. We use McAfee's security service to provide you with utmost security for your personal information &amp; peace of mind.</p>
-----------------------------------------------------------------------------------------------------------------------------------------------------------------------------------------------------------------------------------------------------------------------------------------------------------------------------	---------------------------------------------------------------------------------------------------------------------------------------------------------------------------------------------------------------------------------------------------------	--------------------------------------------------------------------------------------------------------------------------------------------------------------------------------------------------------------------------------------------------------------------------------

## Guarantee & Policy | Privacy & Policy | Terms & Conditions

Any charges made through this site will appear as Global Simulators Limited.

All trademarks are the property of their respective owners.

Copyright © 2004-2014, All Rights Reserved.