

**100%** Money Back  
**Guarantee**

**Vendor:**Juniper

**Exam Code:**JN0-1361

**Exam Name:**Service Provider Design Specialist  
(JNCDS-SP)

**Version:**Demo

### QUESTION 1

You are asked to design a DDoS prevention system to help mitigate denial-of-service attacks that target your customers. The management group wants to know the effect remote triggered black holes may have on current network operations if they are implemented as a solution.

Which three statements are correct in this scenario? (Choose three )

- A. RTBH can automatically delete denial-of-service attacks and block traffic destined to the target.
- B. RTBH can block legitimate user traffic in the network.
- C. RTBH can detect the origin of an attack, regardless of NAT technologies.
- D. RTBH can block all traffic based on the source of an attack.
- E. RTBH can block all traffic based on the destination of an attack

Correct Answer: ADE

---

### QUESTION 2

You are asked to prepare a design proposal for a new enterprise customer. You must ensure that all traffic is routed through and inspected by an SRX Series device located at the corporate headquarters. In this scenario which solution should be used?

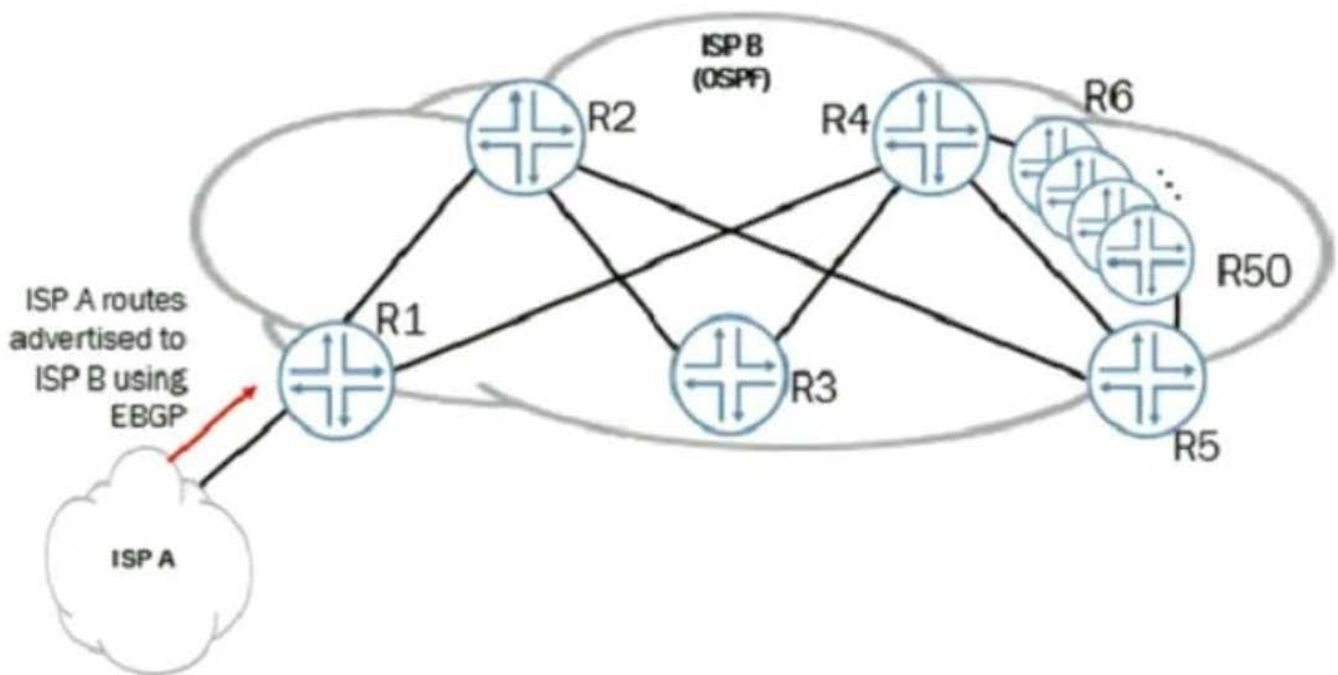
- A. Use a full mesh SD-WAN solution
- B. Use a full mesh Layer 3 VPN solution
- C. Use a Junos Fusion Enterprise solution
- D. Use a hub-and-spoke Layer 3 VPN solution

Correct Answer: D

---

### QUESTION 3

Exhibit: Which routing protocol design will accomplish these goals?



- A. Enable a full mesh of IBGP sessions between the routers in ISP B.
- B. Redistribute the BGP routes learned from ISP A into the OSPF instance running in ISP B.
- C. Configure static routes to ISP A on each router within ISP B.
- D. Configure each router in ISP B to peer with a pair of route reflectors.

Correct Answer: D

#### QUESTION 4

Your company is designing a new data center in a remote location that must be connected to your local data center. You have a service provider connection between the CE devices at each site. You want to implement EVPN with VXLAN services between sites, but the service provider does not offer EVPN services. Which two statements are true in this scenario? (Choose two )

- A. The provider's edge devices must map your VXLAN VNIs to MPLS LSPs within the provider network at each site
- B. The customer's edge devices within your data center can act as VXLAN Layer 2 gateways
- C. You can still implement EVPN service across the service provider as long as there is IP reachability between the sites.
- D. The service provider must provide an MPLS-based VPN connection between sites

Correct Answer: BC

#### QUESTION 5

What are three components of a class-of-service scheduler? (Choose three.)

- A. transmit rate
- B. forwarding class
- C. queue priority
- D. delay buffer size
- E. policing rate

Correct Answer: ACD

Junos OS schedulers allow you to define the priority, bandwidth, delay buffer size, rate control status, and RED drop profiles to be applied to a particular queue for packet transmission

---

#### **QUESTION 6**

You are asked to improve the convergence time in your large enterprise WAN. Each branch office network is multihomed to two central aggregation points using BGP.

Which action would satisfy the requirement?

- A. Provision more WAN bandwidth.
- B. Increase interface hold timers.
- C. Decrease interface hold timers.
- D. Use Bidirectional Forwarding Detection.

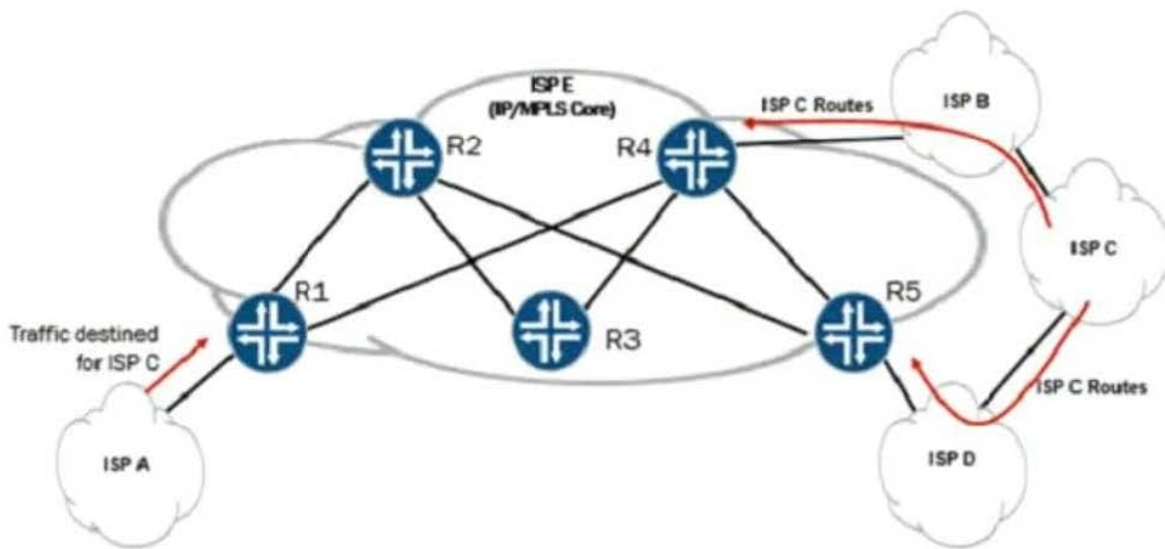
Correct Answer: D

---

#### **QUESTION 7**

Exhibit:

Referring to the exhibit, which two methods would be used by the designer of ISP E to ensure that traffic between ISP C and ISP A will traverse through ISP B? (Choose two.)



- A. Apply the BGP import policy (to EBGP peers) on R4 and/or R5 to adjust the local preference on the ISP C routes so that the path through ISP B is more preferred
- B. Apply the BGP export policy (to IBGP peers) on R4 and R5 to adjust the MED on the ISP C routes so that the path through ISP D is less preferred.
- C. Apply the BGP import policy (to EBGP peers) on R4 and R5 to modify the AS PATH attribute so that the path through ISP D is less preferred.
- D. Apply the BGP import policy (to EBGP peers) on R4 to adjust the ORIGIN for the routes received from ISP B to unknown.

Correct Answer: BC

### QUESTION 8

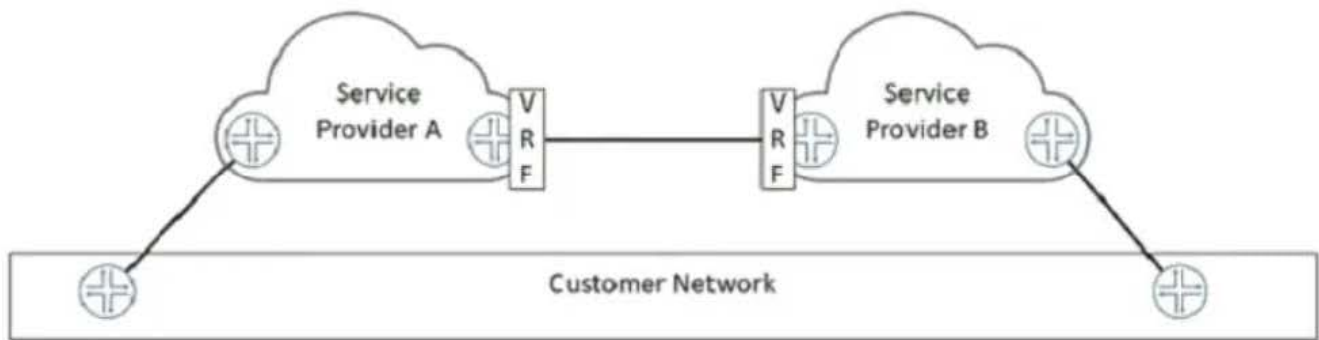
You are asked to design a Cloud CPE solution that can dynamically add new sites to an existing MPLS Layer 3 VPN. The CPE for each new site must support the service chaining of multiple VNFs. Which Juniper Networks Cloud CPE solution supports these requirements?

- A. Distributed Cloud CPE - Managed Internet
- B. SD-WAN
- C. Centralized Cloud CPE
- D. Distributed Cloud CPE - Option 1

Correct Answer: D

### QUESTION 9

Exhibit:



Referring to the exhibit which statement is true about the connectivity between service provider A and B regarding the customer's network information?

- A. The service providers must set up MPLS label exchange between each other for this scenario to work.
- B. The customer is acting as a colocation (meet-me) for an inter-network routing scenario shown in the exhibit.
- C. The service providers must set up MP-BGP between each other to support this inter-network routing.
- D. The service providers may not be aware that they are providing inter-network routing for the customer.

Correct Answer: C

#### QUESTION 10

You are designing a service provider core network. As part of the design, you must ensure that the MPLS network utilizes the traffic engineering database (TED) for path selection and resiliency. You have chosen OSPF as the IGP for your design.

In this scenario which statement is correct?

- A. You must enable traffic engineering in OSPF to populate the TED.
- B. OSPF cannot be used to populate the TED.
- C. You must disable traffic engineering in OSPF to use the TED.
- D. OSPF populates the TED by default.

Correct Answer: A

[https://www.juniper.net/documentation/en\\_US/junos/topics/example/ospf-traffic-engineeringenabling.html](https://www.juniper.net/documentation/en_US/junos/topics/example/ospf-traffic-engineeringenabling.html)

#### QUESTION 11

Your client asked you to design a solution with the requirements shown below.

Have better traffic engineering for applications across an existing MPLS core.

Support both IPv4 and IPv6 traffic

Work with an MX Series core.

Work with a North Star Controller

Work with existing IGP (ISIS)

Which feature would you recommend be implemented in this solution?

A. zero touch provisioning

B. segment routing

C. CoS-based forwarding

D. opaque area LSAs

Correct Answer: B

---

## QUESTION 12

Your applications are migrating from a legacy data center to an EVPN over a VXLAN-based VM environment. A few critical legacy applications not support this environment and must remain on bare metal servers and the applications must be able to access the Internet. What must be included in the VXLAN design to satisfy these requirements?

A. VTEP tunneling

B. VXLAN gateway

C. SR-IOV

D. nested VM capability

Correct Answer: B

[https://www.juniper.net/documentation/en\\_US/releaseindependent/solutions/topics/concept/solutionevpn-vxlan-understanding.html](https://www.juniper.net/documentation/en_US/releaseindependent/solutions/topics/concept/solutionevpn-vxlan-understanding.html)