

100% Money Back
Guarantee

Vendor:Juniper

Exam Code:JN0-363

Exam Name:Service Provider Routing and Switching
Specialist (JNCIS-SP)

Version:Demo

QUESTION 1

What are three well-known mandatory BGP attributes? (Choose three.)

- A. next hop
- B. origin
- C. community
- D. MED
- E. AS path

Correct Answer: ABE

QUESTION 2

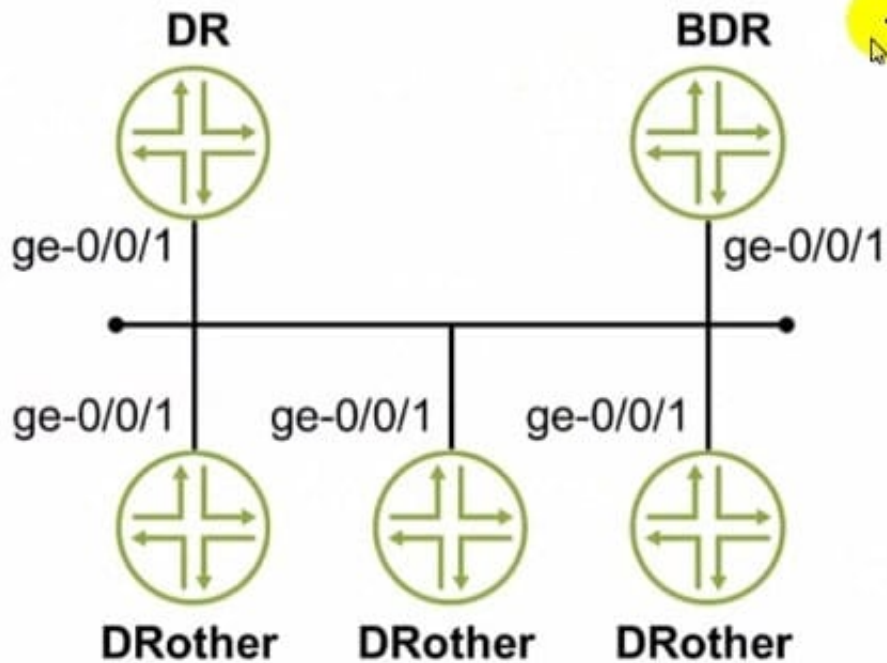
You are deploying link aggregation groups.

- A. By default, what are two considerations in this scenario? (Choose two.)
- B. There should only be four member links per LAG.
- C. All the ports must have the same speed.
- D. Member links are required to be contiguous ports.
- E. Member links can reside on different members within an MC-LAG.

Correct Answer: BD

QUESTION 3

Exhibit



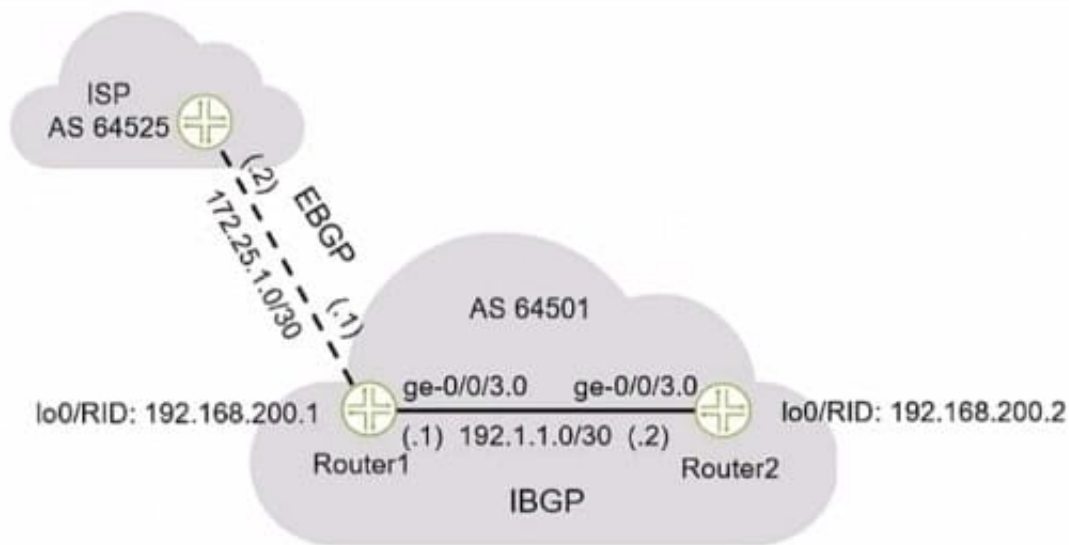
You are asked to configure the OSPF environment to prevent the DRothes routers from participating in DR/BDR election. Referring to the exhibit, which command will accomplish this task?

- A. `set protocols ospf area 0.0.0.0 interface ge-0/0/1 priority 255`
- B. `set protocols ospf area 0.0.0.0 interface ge-0/0/1 priority 0`
- C. `set protocols ospf area 0.0.0.0 interface ge-0/0/1 interface-type nbma`
- D. `set protocols ospf area 0.0.0.0 interface ge-0/0/1 interface-type p2p`

Correct Answer: A

QUESTION 4

Exhibit



```
[edit]
user@Router1# show protocols bgp
group External {
  peer-as 64525;
  neighbor 172.25.1.2;
}
```

Referring to the exhibit, what must be included in the Router1 configuration when establishing an EBGP session with the ISP?

- A. A local address must be specified.
- B. A local AS must be specified.
- C. The BGP session type internal must be specified.
- D. The BGP session type external must be specified.

Correct Answer: A

QUESTION 5

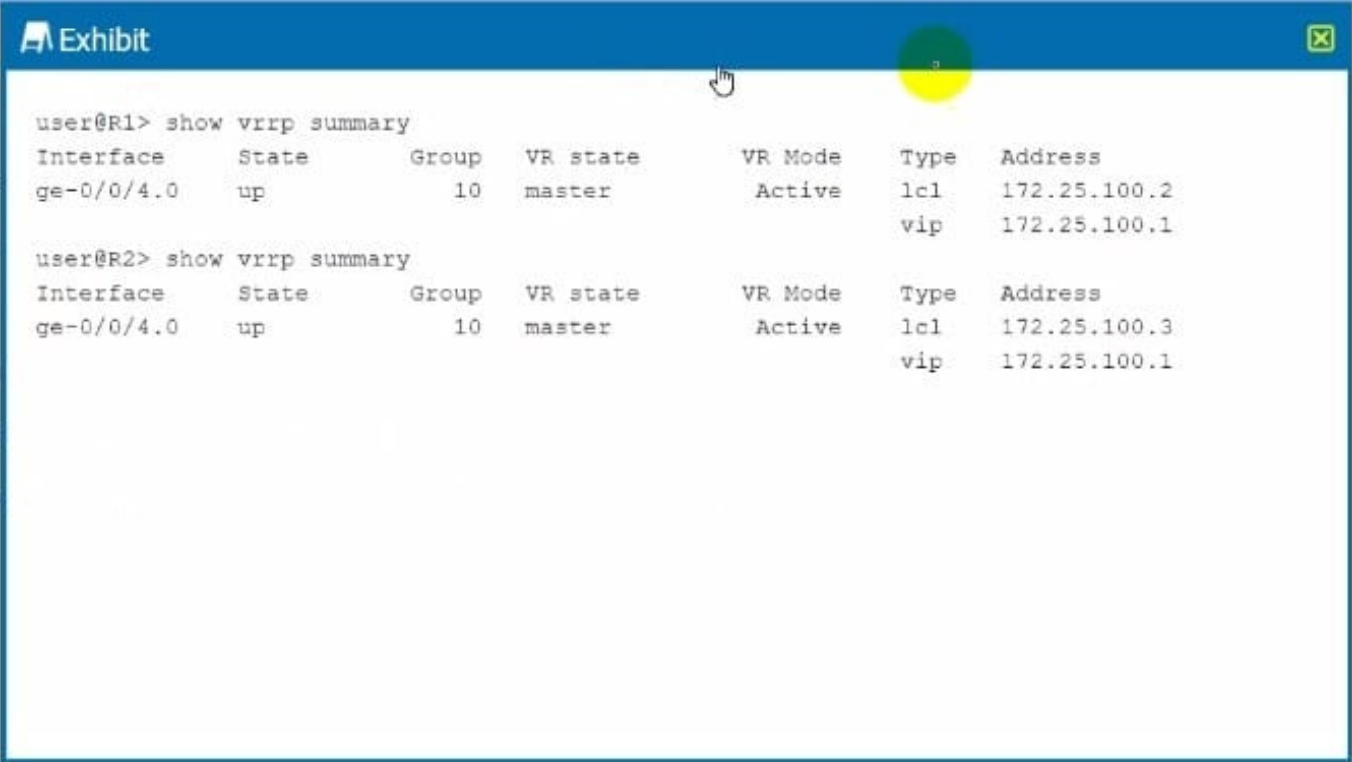
Which two statements are correct when using LDP? (Choose two.)

- A. The Inet.3 table will contain only the paths explicitly defined.
- B. The inet.3 table will contain a full mesh of label-switched paths to other LDP-enabled routers.
- C. LDP label-switched paths are created by configuring LDP on at least one physical router interface.
- D. LDP label-switched paths are created by configuring LDP on the loopback interface.

Correct Answer: BC

QUESTION 6

Exhibit



```
user@R1> show vrrp summary
Interface      State      Group  VR state  VR Mode  Type  Address
ge-0/0/4.0    up         10     master   Active   lcl   172.25.100.2
              vip       172.25.100.1

user@R2> show vrrp summary
Interface      State      Group  VR state  VR Mode  Type  Address
ge-0/0/4.0    up         10     master   Active   lcl   172.25.100.3
              vip       172.25.100.1
```

Referring to the exhibit, which statement is true about VRRP?

- A. VRRP communication between the two devices is not functioning correctly.
- B. Both routers are in the same state because they have the same VRRP priority.
- C. VRRP is functioning normally in active/active mode.
- D. The routers should use different virtual IP addresses for VRRP to function correctly.

Correct Answer: D

QUESTION 7

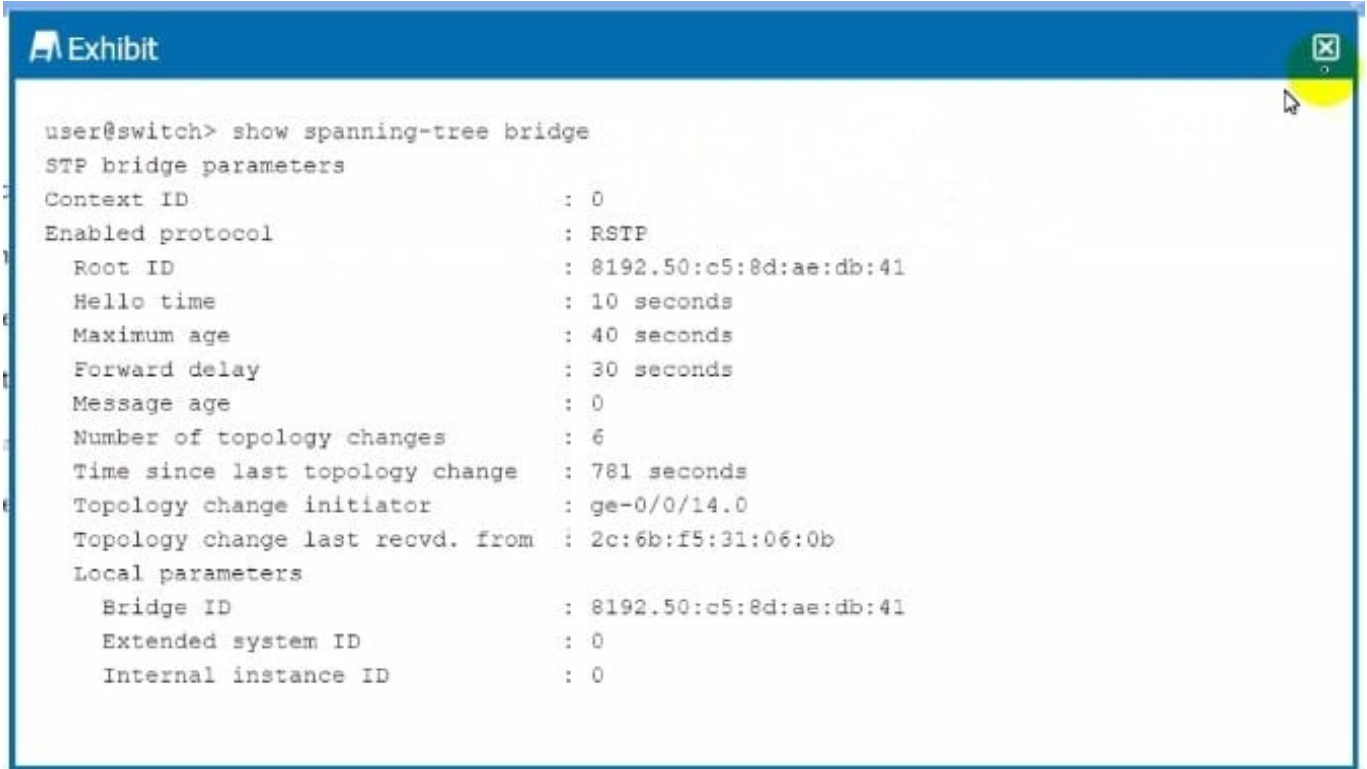
What are two bridging concepts that are used to maintain an Ethernet switching table? (Choose two.)

- A. learning
- B. exporting
- C. aging
- D. timing

Correct Answer: A

QUESTION 8

Exhibit Which two statements are correct about the information shown in the exhibit? (Choose two.)

The image shows a terminal window titled "Exhibit" with a blue header. The terminal output displays the command "show spanning-tree bridge" and its results. The output is as follows:

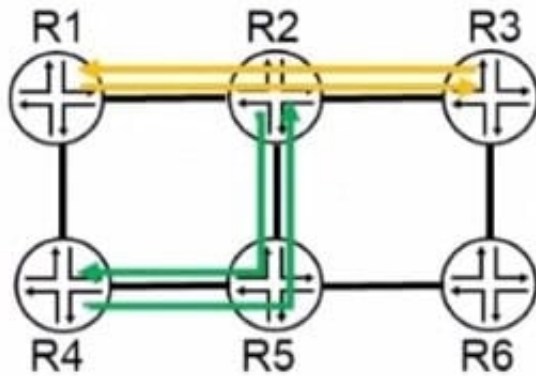
```
user@switch> show spanning-tree bridge
STP bridge parameters
Context ID                : 0
Enabled protocol          : RSTP
Root ID                   : 8192.50:c5:8d:ae:db:41
Hello time                 : 10 seconds
Maximum age               : 40 seconds
Forward delay             : 30 seconds
Message age               : 0
Number of topology changes : 6
Time since last topology change : 781 seconds
Topology change initiator  : ge-0/0/14.0
Topology change last recvd. from : 2c:6b:f5:31:06:0b
Local parameters
Bridge ID                  : 8192.50:c5:8d:ae:db:41
Extended system ID        : 0
Internal instance ID      : 0
```

- A. The root bridge is reachable using the ge-0/0/14 interface.
- B. This switch is the root bridge for this spanning tree topology.
- C. This switch has a bridge priority of 8k.
- D. The root bridge's priority is 4k.

Correct Answer: BD

QUESTION 9

Exhibit The exhibit shows a topology with 1 Gbps interfaces between routers, and four RSVP LSPs operating with the respective bandwidth reservations. Which path will be selected for a new LSP from R4 to R6 with a bandwidth reservation of 400 Mbps?



— RVSP LSP with 300 Mbps reserved
— RVSP LSP with 700 Mbps reserved

- A. R4 -> R1 -> R2 -> R5 -> R6
- B. R4 -> R5 -> R6
- C. R4 -> R5 -> R2 -> R3 -> R6
- D. R4 -> R1 -> R2 -> R3 -> R6

Correct Answer: A

QUESTION 10

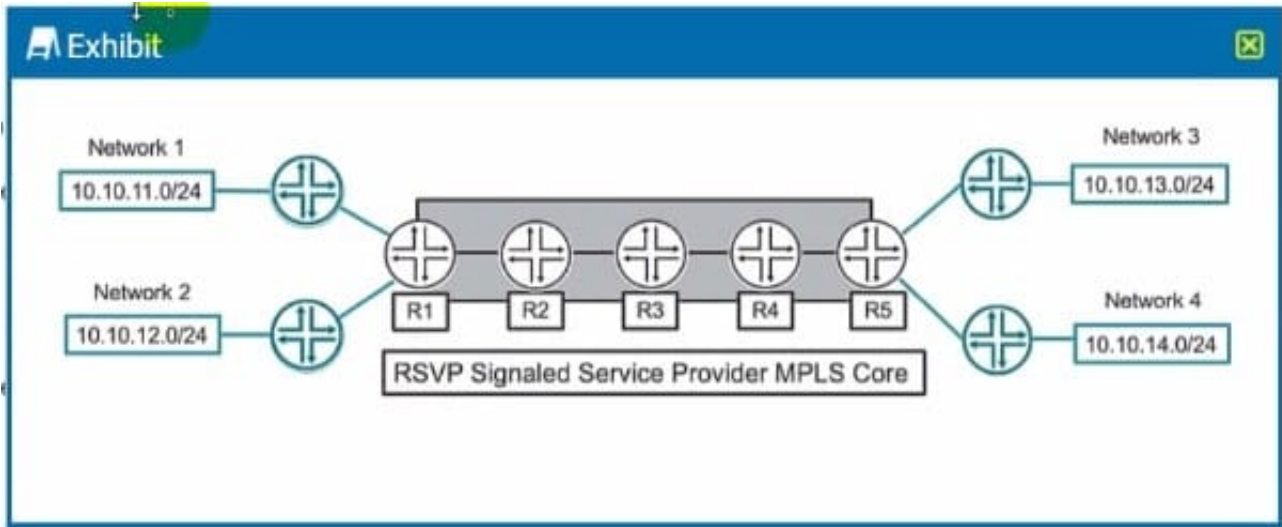
Which two LSA types are permuted in OSPF totally stubby areas? (Choose two.)

- A. Type 1
- B. Type 3
- C. Type 5
- D. Type 7

Correct Answer: CD

QUESTION 11

Exhibit button



Which two statements are correct about the service provider MPLS network shown in the exhibit? (Choose two.)

- A. R3 will perform a label pop operation on the transport MPLS label.
- B. Traffic from Network 1 to Network 3 and traffic from Network 1 to Network 4 each need their own unique label-switched path.
- C. Traffic from Network 1 to Network 3 and from Network 1 to Network 4 can share the same label-switched path.
- D. R3 will perform a label swap operation on the transport MPLS label.

Correct Answer: AD

QUESTION 12

You are asked to create connections between routing instances on the same Junos device and route between the connected Instances. What are two ways to accomplish this task? (Choose two.)

- A. Use physical interfaces.
- B. Use an IRB interface.
- C. Use logical tunnel interfaces.
- D. Use loopback interfaces.

Correct Answer: AB