

100% Money Back
Guarantee

Vendor:Juniper

Exam Code:JN0-643

Exam Name:Enterprise Routing and Switching,
Professional (JNCIP-ENT)

Version:Demo

QUESTION 1

Voice traffic is coming in on UDP port 17689. This traffic must be classified into the expedited- forwarding forwarding class.

Which type of classifier is needed?

- A. code point alias
- B. rewrite marker
- C. multifield
- D. behavior aggregate

Correct Answer: C

QUESTION 2

Which protocol is used for port level access control and authentication?

- A. MD5
- B. IP sec
- C. 802.1X
- D. AES

Correct Answer: C

QUESTION 3

Which statement is correct about private VLANs?

- A. multiple private VLAN instances can be configured on a single switch
- B. you can configure only one private VLAN instances per switch
- C. private VLANs can only be implemented to span more than one switch
- D. a private VLAN instance must be implemented on a single switch

Correct Answer: B

QUESTION 4

-- Exhibit -

```
{master:0}[edit]
```

```
user@router# show class-of-service
```

```
classifiers {
```

```
inet-precedence normal-traffic {
```

```
forwarding-class best-effort {
```

```
loss-priority low code-points [ my1 my2 ];
```

```
}
```

```
}
```

```
}
```

```
code-point-aliases {
```

```
inet-precedence {
```

```
my1 000;
```

```
my2 001;
```

```
cs1 010;
```

```
cs2 011;
```

```
cs3 100;
```

```
cs4 101;
```

```
cs5 111;
```

```
cs6 111;
```

```
}
```

```
}
```

-- Exhibit -

Click the Exhibit button.

In the exhibit, you see a configuration for CoS. Incoming traffic with specific IP precedence bits should be mapped to a forwarding class named best-effort. A classifier named normal-traffic is defined.

What must you add to complete this configuration?

A. Include the option `q-pic-large-buffer` under the chassis hierarchy to accommodate the new code points.

- B. Apply classifier normal traffic to the interface hierarchy under the class-of-service stanza.
- C. Configure a rewrite marker on the ingress Gigabit Ethernet interface.
- D. Add code point values for the expedited-forwarding forwarding class as well as the best- effort forwarding class.

Correct Answer: B

QUESTION 5

The network is configured with IPv4 and IPv6 addressing. The network administrator does not want the overhead of managing OSPFv2 and OSPFv3 for route advertisement. Which statement is true in this scenario?

- A. OSPFv2 can advertise IPv6 routes by using opaque LSAs
- B. OSPFv3 can advertise IPv4 routes by using route redistribution policies
- C. OSPFv2 and OSPFv3 must run on the network to advertise IPv6 and IPv4 routes
- D. OSPFv3 can advertise IPv4 routes by configuring protocol realms

Correct Answer: D

QUESTION 6

You notice that a number of IGMP leave group messages are passing through a BMA network and are impacting the network's performance.

What would you do to resolve this issue without affecting multicast traffic?

- A. Apply an import policy to control leave group messages.
- B. Suppress group-specific queries.
- C. Suppress generic IGMP queries.
- D. Enable promiscuous-mode in IGMP.

Correct Answer: B

QUESTION 7

Which three PoE power allocation methods are supported on EX Series switches? (Choose three.)

- A. dynamic PoE management mode
- B. static PoE management mode
- C. enhanced power negotiation

- D. LLDP power negotiation
- E. class PoE management mode

Correct Answer: BDE

QUESTION 8

You are troubleshooting a problem on interface ge-0/0/3.

Which command shows statistics in real time?

- A. show interfaces statistics
- B. monitor interface statistics ge-0/0/3
- C. monitor interface traffic
- D. monitor traffic interface ge-0/0/3

Correct Answer: C

QUESTION 9

-- Exhibit -Controller Maximum Power Guard Management Status Lldp index power consumption band Priority 0
792.00W 603.50W 0W Class AT_MODE Disabled -- Exhibit -Click the Exhibit button.

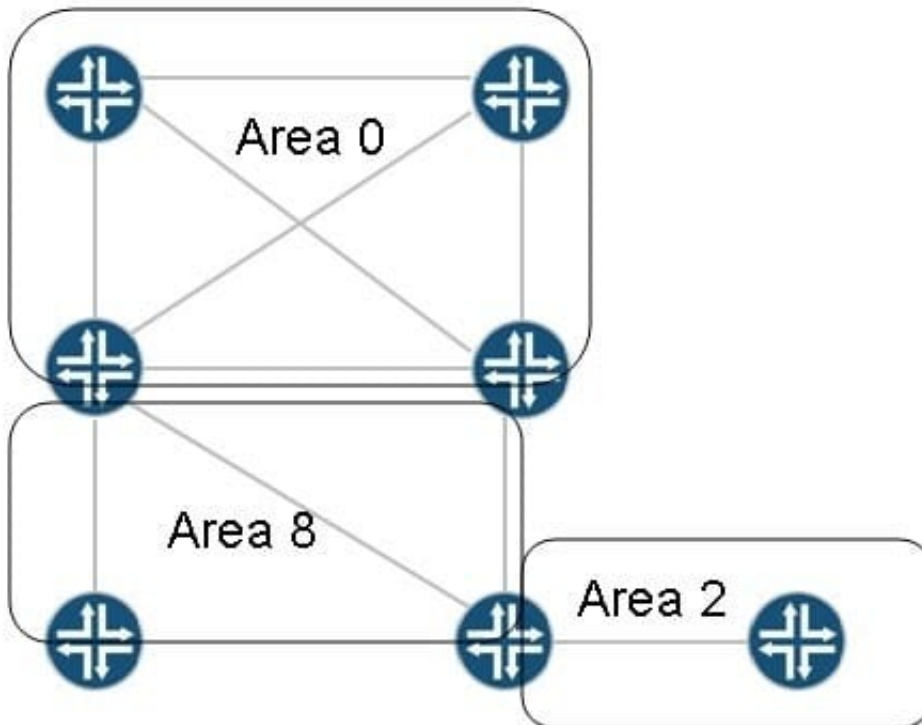
Referring to the exhibit, which statement is true?

- A. The switch supports PoE+.
- B. The switch is protected against spikes in power demand.
- C. The switch supports a maximum power draw per PoE port of 15.4 watts.
- D. The switch can manually assign priorities per interface.

Correct Answer: A

QUESTION 10

-- Exhibit



-- Exhibit -

Click the Exhibit button.

In the exhibit, which statement about the ABR between Area 8 and Area 2 is true?

- A. The router has connectivity to all areas.
- B. The router has connectivity to Area 8 only.
- C. The router has connectivity to Area 2 only.
- D. The router has connectivity to all routers in Area 8 and Area 2.

Correct Answer: D

QUESTION 11

-- Exhibit -

```
20.0.0.0/8 *[BGP/170] 01:10:38, localpref 100, from 10.0.0.1 AS path: 100 I > to 15.0.0.2 via ge-0/0/0.0 [BGP/170]
00:00:59, localpref 100 AS path: 100 ? > to 35.0.0.2 via ge-0/0/1.0 -- Exhibit -
```

Click the Exhibit button.

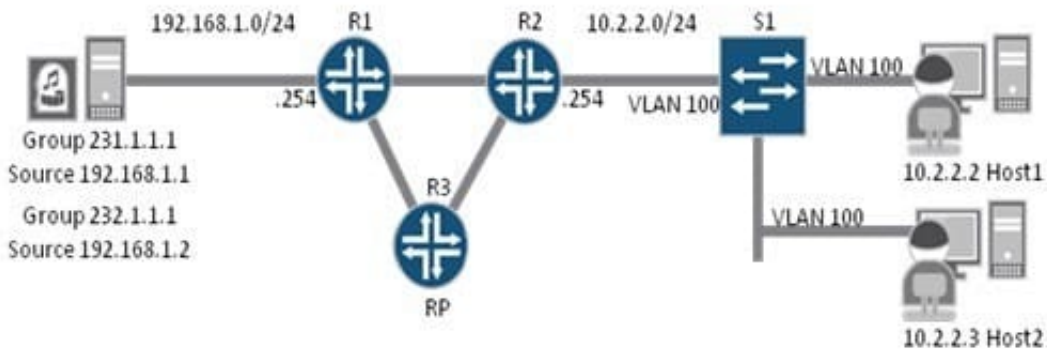
Referring to the output in the exhibit, why does the router prefer the path toward interface ge- 0/0/0.0 for the 20.0.0.0/8 route?

- A. The origin is IGP.
- B. The origin is unknown.
- C. The AS path is longer.
- D. Multihop is enabled.

Correct Answer: A

QUESTION 12

-- Exhibit



-- Exhibit -Click the Exhibit button. In the exhibit, the routers in the network have a default PIM sparse mode configuration. R2 shows that R1 is the RPF next hop for the source, and R3 is the RPF next hop for the RP. Host1 is currently receiving multicast traffic for group

231.1.1.1. Host2 has come online and is attempting to join group 232.1.1.1. R2 has just received an IGMP message with the source and group addresses. Which step happens next so that Host2 can join the multicast group?

- A. R2 sends a PIM join upstream towards R3 to join the shared tree.
- B. R2 sends a PIM join upstream towards R3 to join the source tree.
- C. R2 sends a PIM join upstream towards R1 to join the shared tree.
- D. R2 sends a PIM join upstream towards R1 to join the source tree.

Correct Answer: D