

100% Money Back
Guarantee

Vendor:Juniper

Exam Code:JN0-681

Exam Name:New Data Center, Professional

Version:Demo

QUESTION 1

Which EVPN route type prevents BUM traffic from looping back to a multihomed host?

- A. IP prefix route
- B. Ethernet autodiscovery route
- C. Ethernet segment route
- D. inclusive multicast-Ethernet tag route

Correct Answer: B

QUESTION 2

A client with five data centers spread around the country uses MPLS L2VPNs to provide point-to-point data center interconnects between each data center in a full-mesh network. The client is considering an MPLS EVPN implementation.

In this scenario, what are three advantages of using MPLS EVPN interconnects? (Choose three.)

- A. They provide for static configuration that does not require a Dynamic Routing Protocol.
- B. They provide for lower transmission latency.
- C. They provide for a local proxy ARP/ND resolution.
- D. They provide for point-to-multipoint connectivity.
- E. They provide for MAC learning in the control plane.

Correct Answer: CDE

QUESTION 3

You are configuring an IP Fabric in your data center and you are trying to load-balance traffic across multiple equal-cost BGP routes. You have enabled multipath, but the traffic is not being load-balanced.

```
user@switch> show route 10.1.2.0/24
```

```
inet.0: 11 destinations, 13 routes (11 active, holddown, 0 hidden)
```

```
+ = Active Route, - = Last Active, * = Both
```

```
10.1.2.0/24          *[BGP/170] 01:21:05,
localpref 100
                    AS path: 64516 I,
validation-state: unverified
                    to 172.16.3.1 via ge-
0/0/1.0
                    > to 172.16.5.1 via ge-
0/0/2.0
                    [BGP/170] 01:09:08,
localpref 100
                    AS path: 64515 I,
validation-state: unverified
                    > to 172.16.3.1 via ge-
0/0/1.0
```

```
user@switch> show route forwarding-table
```

```
destination 10.1.2.0/24
```

```
Routing table: default.inet
```

```
Internet:
```

Destination	Type	RtRef	Next hop
Type	Index	NhRef	Netif
10.1.2.0/24	user	0	172.16.5.1
ucst	574	4	ge-0/0/2.0

```
...
```

```
user@switch> show configuration policy-options
```

```
policy-statement load-balance {
```

```
    term lb {
```

```
        then {
```

```
            load-balance per-packet;
```

```
            accept;
```

```
        }
```

```
    }
```

```
}
```

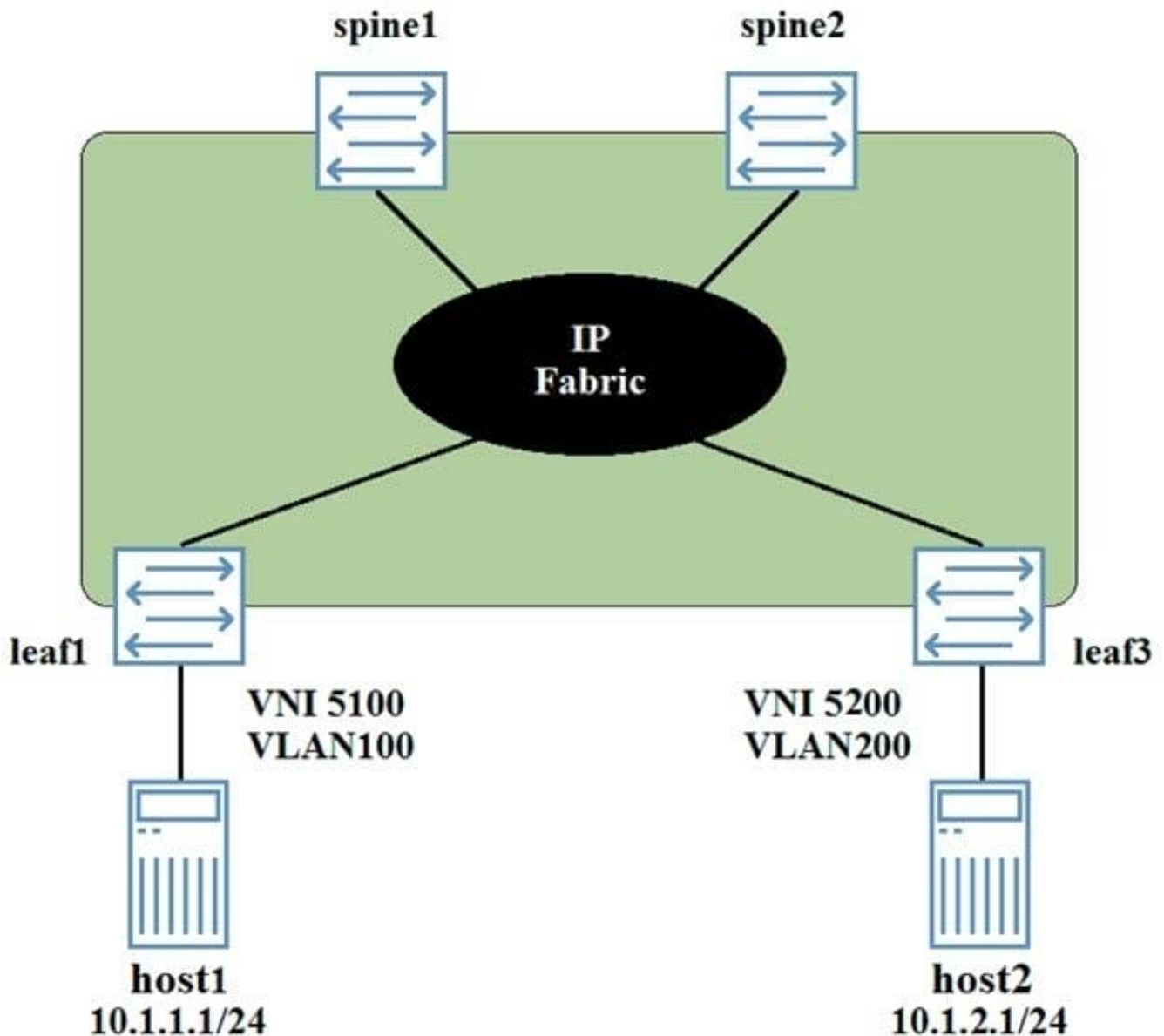
Referring to the exhibit, what will solve this problem?

- A. You should apply the load-balance policy as an import policy to the forwarding table.
- B. You should apply the load-balance policy as an import policy for the BGP neighbor.
- C. You should apply the load-balance policy as an export policy to the forwarding table.
- D. You should apply the load-balance policy as an export policy to the BGP neighbor.

Correct Answer: C

QUESTION 4

Host1 and host2 are connected to an EVPN signaled VXLAN overlay, and must have Layer 3 connectivity. The VNI and VLAN assignments are shown in the exhibit.



In this scenario, which two statements are true? (Choose two.) A. The ESI assigned to the host1 link will be different from the ESI assigned to the host2 link.

B. The VNI assigned to the host1 link must be the same as the VNI assigned to the host2 link.

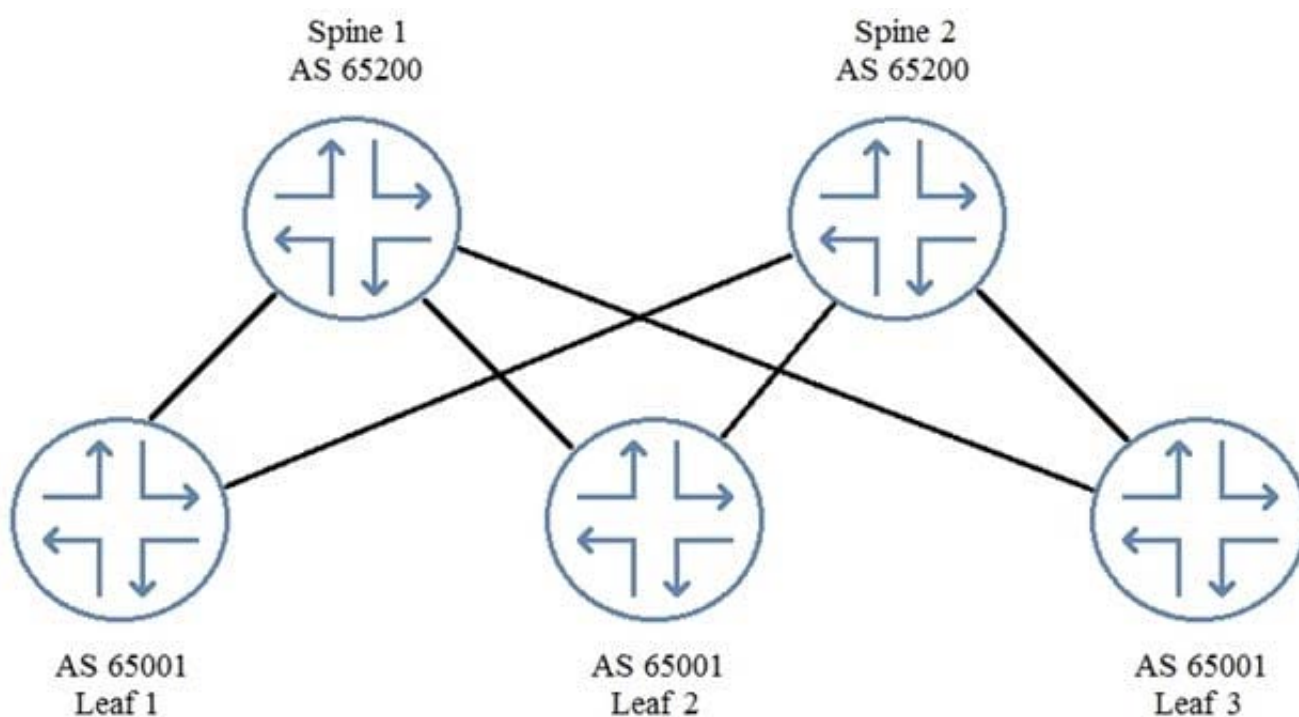
C. A Layer 3 gateway can be configured on the spine devices.

D. A Layer 3 gateway can be configured on the leaf devices.

Correct Answer: CD

QUESTION 5

Referring to the exhibit, not all routes are being exchanged by EBGGP peers.



In this scenario, which BGP parameter would solve this problem?

A. multihop

B. multipath

C. multipath multiple-as

D. as-override

Correct Answer: D

QUESTION 6

Which two statements describe EVPN-based VXLAN implementations? (Choose two.)

- A. The movement of a virtual host requires a manual reconfiguration of the VTEP.
- B. The movement of a virtual host results in the dynamic remapping of the VTEP.
- C. MAC addresses are learned using multicast flooding.
- D. MAC addresses are propagated using BGP updates.

Correct Answer: BD

QUESTION 7

Which EVPN route type would be used in a DCI situation in which the IP subnets between data centers are completely unique?

- A. Type 2
- B. Type 3
- C. Type 4
- D. Type 5

Correct Answer: D

QUESTION 8

Your colleague has begun working on the base configuration for an active-active multihomed EVPN connection shown in the exhibit.

PE1

```
set interfaces ge-0/0/4 vlan-tagging
set interfaces ge-0/0/4 encapsulation flexible-
ethernet-services
set interfaces ge-0/0/4 esi
00:00:00:00:00:00:00:00:00:00
set interfaces ge-0/0/4 esi all-active
set interfaces ge-0/0/4 unit 0 encapsulation
vlan-bridge
set interfaces ge-0/0/4 unit 0 vlan-id 300
```

PE2

```
set interfaces ge-0/0/4 vlan-tagging
set interfaces ge-0/0/4 encapsulation flexible-
ethernet-services
set interfaces ge-0/0/4 esi
00:22:44:66:88:00:22:44:66:88
set interfaces ge-0/0/4 esi single-active
set interfaces ge-0/0/4 unit 0 encapsulation
vlan-bridge
set interfaces ge-0/0/4 unit 0 vlan-id 300
```

Which two actions will ensure a successful implementation? (Choose two.)

- A. Change the ESI mode on PE1 to single-active.
- B. Change the ESI mode on PE2 to all-active.
- C. Change the ESI value on the PE2 device to 00:00:00:00:00:00:00:00:00:00.
- D. Change the ESI value on the PE1 device to 00:22:44:66:88:00:22:44:66:88.

Correct Answer: BD

QUESTION 9

What are three advantages of using MPLS for data center interconnects? (Choose three.)

- A. dedicated MPLS backbones for Layer 2 and Layer 3 DCIs
- B. any-to-any connectivity
- C. traffic engineering

D. dedicated connections between customer sites

E. sub 50 ms failover times

Correct Answer: ACE

QUESTION 10

You are asked to configure VXLAN for your data center using multicast to exchange VTEP information.

In this scenario, which two configuration parameters must match on the VTEPs in the same VXLAN segment? (Choose two.)

A. multicast group

B. VLAN ID

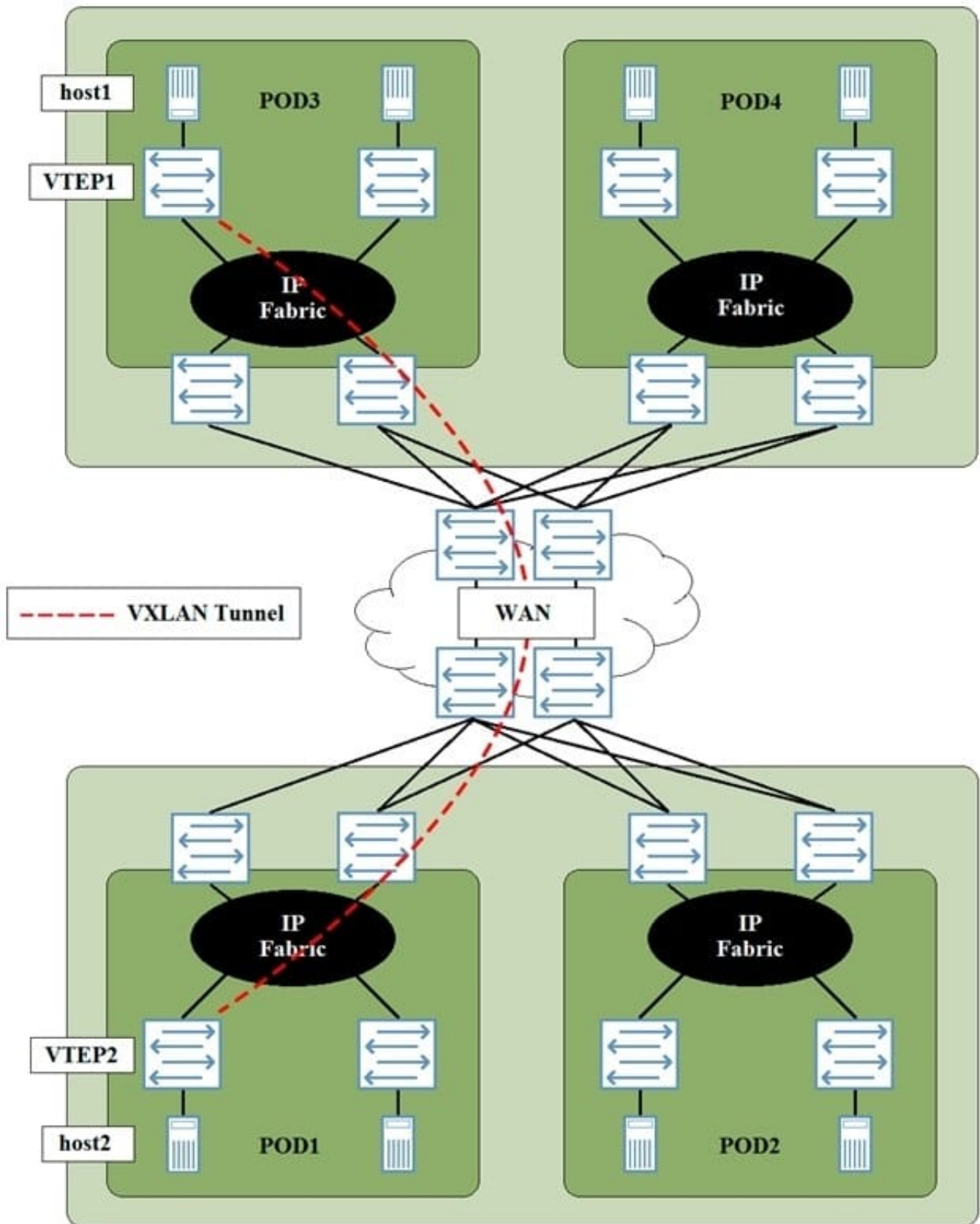
C. routing instance name

D. VNI

Correct Answer: AD

QUESTION 11

Referring to the exhibit, DC1 and DC2 have a DCI across a service provider WAN connection. Host1 in DC1 must have Layer 2 connectivity to host2 in DC2. A VXLAN tunnel must be created between VTEP1 and VTEP2.



In this scenario, which statement is true?

- A. The service provider WAN connection cannot be an MPLS-based WAN connection.

B. VXLAN Layer 3 gateway must be provisioned at the Super Spine layer.

C. A route to the loopback address on VTEP2 must be present on VTEP1.

D. VTEP1 and VTEP2 must peer using IBGP.

Correct Answer: C

QUESTION 12

You host a multitenant data center that runs VMware. You must perform deep packet inspection on all inter-tenant traffic that is flowing between the VMs within the same hypervisor. Your solution must provide the security services without needing to leave the physical device.

In this scenario, what should you do to solve this problem?

A. Use separate vSwitches to isolate each tenant's networks and use IP tables to evaluate inter-tenant traffic.

B. Use VLANs to isolate each tenant's networks and use an SRX Series device to evaluate inter-tenant traffic.

C. Use a vMX device to isolate each tenant's networks and use with firewall filters to evaluate inter-tenant traffic.

D. Use separate vSwitches to isolate each tenant's networks and use a vSRX Series device to evaluate inter-tenant traffic.

Correct Answer: D