

100% Money Back
Guarantee

Vendor:NetApp

Exam Code:NS0-509

Exam Name:NetApp Certified Implementation
Engineer - SAN - ONTAP

Version:Demo

QUESTION 1

A storage administrator created a LUN using two ports on a storage system. Later, additional LUNs were added to the same node as the original LUN. After a while, the performance of the original LUN dropped beyond an acceptable level.

What would you advise to remedy the Issue?

- A. Add an additional switch between the hosts and cluster.
- B. Add new LIFs on unused ports.
- C. Add new LIFs on the used ports.
- D. Reduce the queue depth on the used ports.

Correct Answer: B

QUESTION 2

A customer's NetApp infrastructure is reaching end-of-life (EOL), and they want to inventory their NetApp cluster. The customer wants to make sure that the proposed technical refresh satisfies their growing data demands.

Which two tools would you use to help with this recommendation? (Choose two.)

- A. Upgrade Advisor
- B. OneCollect
- C. Config Advisor
- D. Active IQ

Correct Answer: AC

QUESTION 3

An administrator has a 2node AFF ONTAP cluster named cl1. A Windows 2016 server has 10 FC LUNs mapped from the cluster, and the administrator can multiple paths to each LUN. During a scheduled storage failover, node cl1-02 took over cl1-01, and Windows server lost connectivity to all mapped LUNs but reestablished connectivity after the giveback operation finished. In the scenario, what would cause the LUN connectivity outage?

- A. Multipathing software is not installed on the host.
- B. Switch zoning does not exist between the host initiator ports and the data LIFs that reside on node cl1-01.
- C. NPIV is not enabled on the switches.

D. Switch zoning does not exist between the host initiator ports and the data LIFs that reside on node cl1 02.

Correct Answer: A

QUESTION 4

A customer that is using an AFF A220 has a problem with a host for a new FC LUN. Other LUNs on the same SVM are working properly. This LUN is not visible on the host.

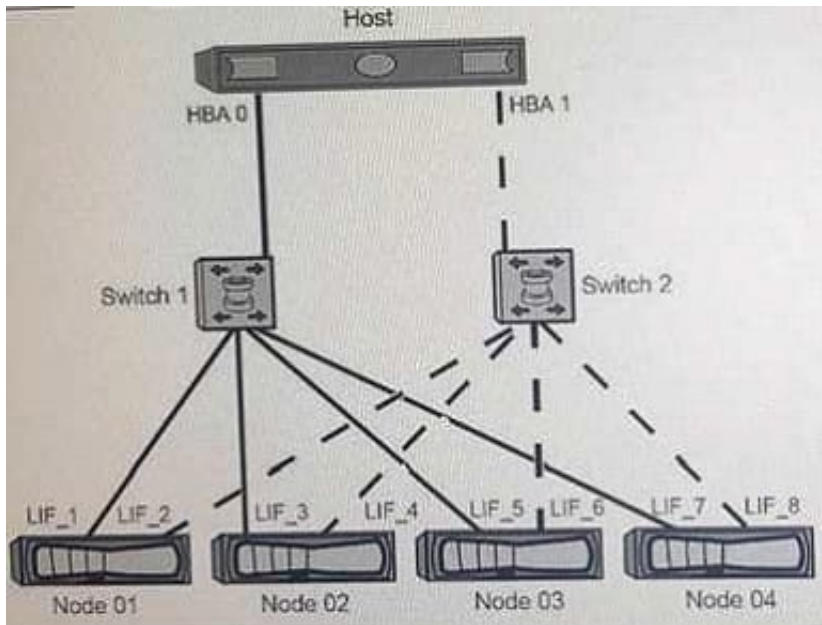
Which configuration does the customer need to verify in their solution?

- A. LUN mapping with igroup
- B. host HBA speed settings
- C. FC target port setting on NetApp node
- D. FC switch zoning

Correct Answer: C

QUESTION 5

Exhibit.



A customer is testing a dual-fabric FC SAN configuration as shown in the exhibit. The zones are implemented on the switches shown below.

Switch 1 / Zone 1: HBA 0, LIF_1, LIF_3, LIF_5, and LIF_7
Switch 2 / Zone 2: HBA 1, LIF_2, LIF_4, LIF_6, and LIF_8

IF all the nodes are in the SLM reporting nodes list, how many paths per LUN should the customer expect when simulating a node failure by powering off Node 04?

- A. 4 paths
- B. 6 paths
- C. 8 paths
- D. 2 paths

Correct Answer: B

QUESTION 6

A customer is expanding an ONTAP 9.4 switchless 2-node FAS2750 cluster. Two AFF A220 nodes will be added to the cluster.

In addition to the cluster nodes, what else is required to perform the cluster expansion?

- A. Additional management switches are required.
- B. An upgrade to ONTAP 9.5 is required.
- C. Cluster switches are required.
- D. Additional DS224C shelves are needed.

Correct Answer: A

QUESTION 7

What is the recommended minimum of data LIFs per node for iSCSI in a dual-fabric configuration with four SVMs?

- A. 8
- B. 12
- C. 16
- D. 4

Correct Answer: A

Reference: <https://docs.netapp.com/ontap-9/topic/com.netapp.doc.dot-cm-sanconf/GUID-650DC466CA3F-4032-8005-078FCEEB52E7.html> (6th bullet)

QUESTION 8

Which resource would you use to verify whether a specific SAN configuration is supported by NetApp?

- A. SAN Configuration Guide
- B. Hardware Universe (HWU)
- C. Active IQ
- D. Interoperability Matrix Tool (IMT)

Correct Answer: A

Reference: [https://docs.netapp.com/ontap-9/topic/com.netapp.doc.dot-cm-sanconf/SAN% 20configuration.pdf](https://docs.netapp.com/ontap-9/topic/com.netapp.doc.dot-cm-sanconf/SAN%20configuration.pdf)

QUESTION 9

You are implementing a new AFF A800 HA pair and are required to migrate NetApp E-Series E2624 data to the AFF A800 controllers. You do not have a host server that is available for the migration.

In this scenario, which NetApp migration method is supported?

- A. OnCommand Unified Manager (OCUM)
- B. NetApp Data Availability Services (NDAS)
- C. SnapMirror Synchronous (SM-S)
- D. Foreign LUN Import (FLI)

Correct Answer: D

QUESTION 10

Which NetApp tool views automated, schedule configuration, and performance data for a customer's SAN from a Web browser?

- A. Virtual Storage Console
- B. OnCommand Workflow Analyzer
- C. Config Advisor
- D. Active IQ

Correct Answer: B

QUESTION 11

While expanding a 200 GB LUN in an ONTAP 9.4 system, the following error is observed:

```
cluster1::*> lun resize -path /vol/lun_vol/lun -size +3T
Error: command failed: New size exceeds this LUN's initial geometry
```

What is the cause of this error?

- A. The volume auto-grow is disabled.
- B. The LUN reached maximum capacity.
- C. The LUN can be expanded up to 10 times its original size.
- D. Space reservation is enabled.

Correct Answer: A

QUESTION 12

Click the Exhibit button.

Question	Exhibit					
<pre>cl1-02::> network interface show -vserver SVM1</pre>						
Vserver	Logical Interface	Status Admin/Oper	Network Address/Mask	Current Node	Current Port	Is Home

SVM1	LIF_bot-0e	up/up	20:17:00:a0:98:5a:5c:af	cl1-02	0e	true
	LIF_bot-0f	up/up	20:19:00:a0:98:5a:5c:af	cl1-02	0f	true
	LIF_top-0e	up/up	20:16:00:a0:98:5a:5c:af	cl1-01	0e	true
	LIF_top-0f	down/down	20:18:00:a0:98:5a:5c:af	cl1-01	0f	true

During pre-deployment testing, you want to ensure that all FC paths are available to your host. You use the network interface modify -vserver SVM1 -lif LIF_top-0f -admin-state up command to correct the configuration shown in the exhibit.

What happens when using this command?

- A. It creates a new LIF on SVM2 named up.
- B. It creates a new LIF on SVM1 named LIF_top-0f.
- C. It changes the administrative state from "down" to "up".
- D. It changes the operational state from "down" to "up".

Correct Answer: C